

# T1002

EVO

1:10 SCALE 2WD ELECTRIC PRO RACING BUGGY



*TeamC*

## Notice

Thank you for purchasing this TC02 EVO Competition Buggy by Team C. This manual shows instructions and tips to built and maintain your TC02 EVO. Please take some time to read through to get familiar with the shown steps.

We continually improve our products, due to that, actual parts may be different to the illustrations. Please check our website for the latest versions manuals and tips before you start to built this model.

This manual is written in english language only. If you need a manual in your language please visit our website or contact your distributor!

Diese Anleitung wurde in englischer Sprache verfasst. Sollten sie eine Anleitung in ihrer Sprache benötigen, besuchen sie unsere website oder kontaktieren sie ihren Vertriebsagenten.

Questo manuale è stato scritto in inglese. Se avete bisogno del manuale nella tua lingua, si prega di visitare il nostro sito web o contattate il proprio distributore.

Este manual está escrito en Inglés. Si necesita el manual en su idioma, por favor visite nuestro sitio web o contacte con su distribuidor.

Ce manuel est écrit en langue anglaise. Si vous avez besoin d'un manuel dans votre langue s'il vous plaît visitez notre site web ou contactez votre distributeur!

Deze handleiding is geschreven in het Engels taal beschikbaar. Als u een handleiding in uw eigen taal kunt u terecht op onze website of neem contact op met uw distributeur!

## General Information

**THIS IS NOT A TOY!**

Not suitable for children under 14 years of age without adult supervision.

This is a high performance vehicle, for safety reason don't run on public streets, in crowded areas, environmentally areas or near children or animals.

This model contains rotating parts and parts which become hot during operation. Care must be taken to avoid damage or injuries.

This product may require some assembly and routine maintenance.

This product is covered by warranty based on material defectives. Crash damage or maintenance failures are not covered under warranty.

Batteries should be used in good condition only, and need to be fully charged.

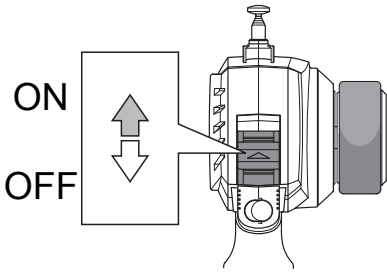
Nitro models should be driven outside of buildings only. Inhaling exhaust gases could cause health damage.

Keep chemicals stored out of the range of small children.

Make sure your model and equipment is in perfect condition before you use it, to ensure safety and fun while driving.

# Transmitter Preparation

## Power Switch



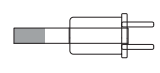
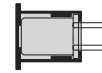
## Antenna

Extend the antenna to the maximum Length for best performance

## 27MHz Transmitter Crystal (TX)

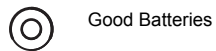
Transmitter crystal(TX)

Receiver crystal(RX)



The crystal can be replaced to change frequencies.  
Note : You must also change receiver crystals!  
Do not use AM crystals

## Battery Level Indicator



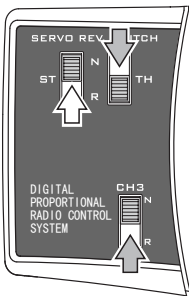
Good Batteries



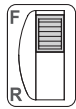
Low Batteries(Light Blinks)

## Reverse Switch 反向开关

! Servo Factory Settings

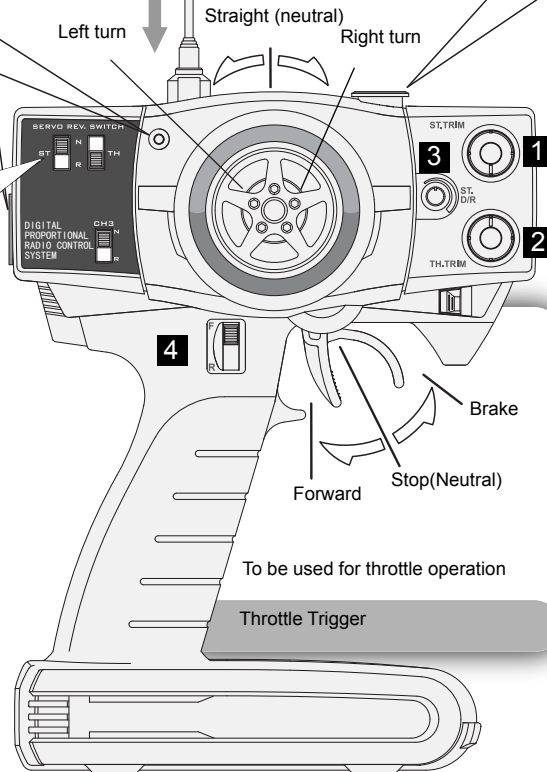


## 4 3ch Switch



This switch is used for optional parts.

Left turn      Straight (neutral)      Right turn



## 1 Steering Trim



To be used for trimming the steering operation

## 2 Throttle Trim



To be used for trimming the throttle operation

## 3 Steering Dual Rate

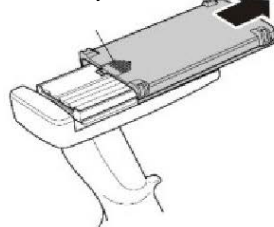


To be used to adjust steering servo throw

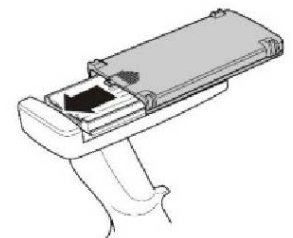
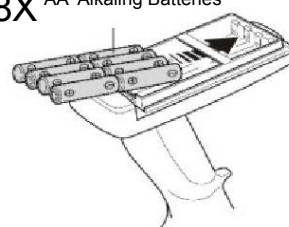
## Transmitter Battery Installation

Open battery cover at the bottom of transmitter. Install batteries. Follow the direction of batteries designated in the inside of battery box.

Battery Cover



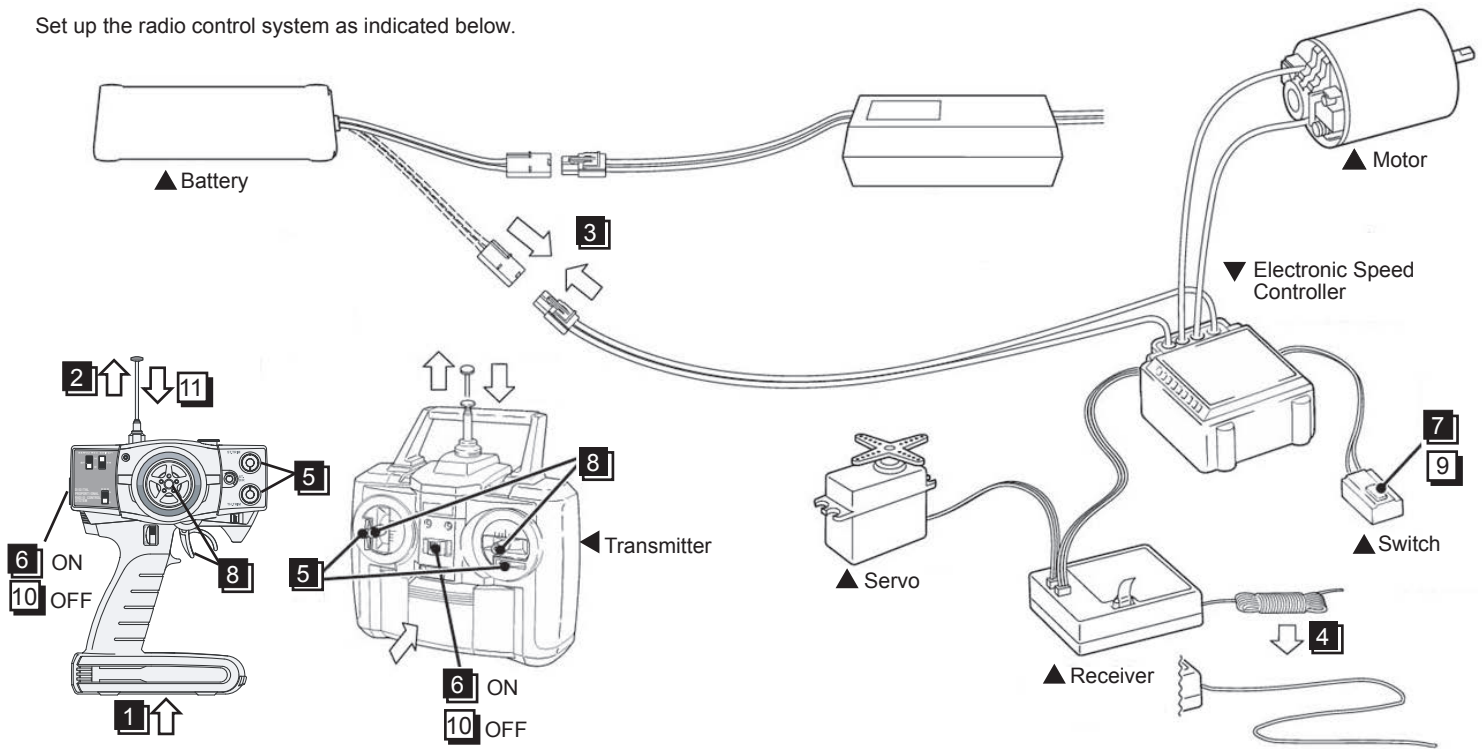
8X AA Alkaling Batteries



# Transmitter Preparation

A new Ni-MH battery must be charged before it is used. Refer to the charger instruction manual for charging.

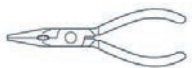
Set up the radio control system as indicated below.



- **Start**
  - 1 Install batteries.(Transmitter)
  - 2 Extend the antenna.(Transmitter)
  - 3 Connect the battery
  - 4 Extend the antenna.(Receiver)
  - 5 Center the trims.
  - 6 Switch on.(Transmitter)
  - 7 Switch on.(Receiver)
  - 8 Make sure the servos are in command.
- **Finish**
  - 9 Switch off.(Receiver)
  - 10 Switch off.(Transmitter)
  - 11 Retract the antenna(Transmitter)

## Tools required

● Needle Nose Pliers



● Awl



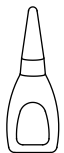
● Grease



● Screw Cement



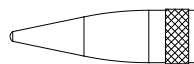
● **H162**  
Instant Glue



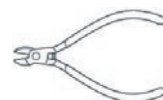
● Differential Grease



● **H154**  
Body Reamer



● Wire Cutters



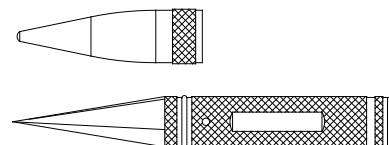
● **H096**  
ROUND CUTTER

● Molybdenum Grease(Black)



● Hex Wrench

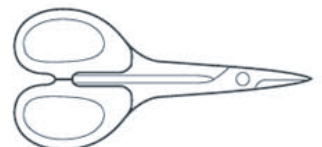
● Hex Wrench



No need to pre-drill precise holes  
(1mm to 15mm) can be drilled

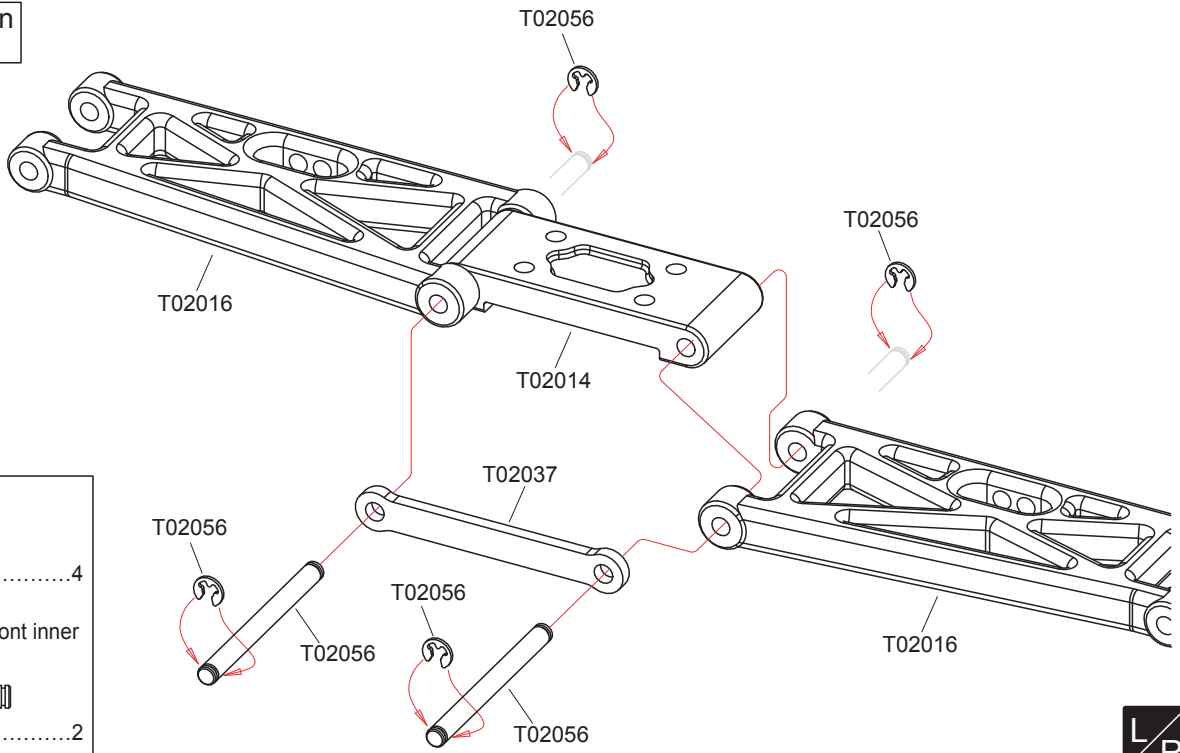


● Sharp Hobby knife




For trimming bodies!

# 1 Front Suspension

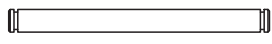


T02056 2.3 E-ring



.....4

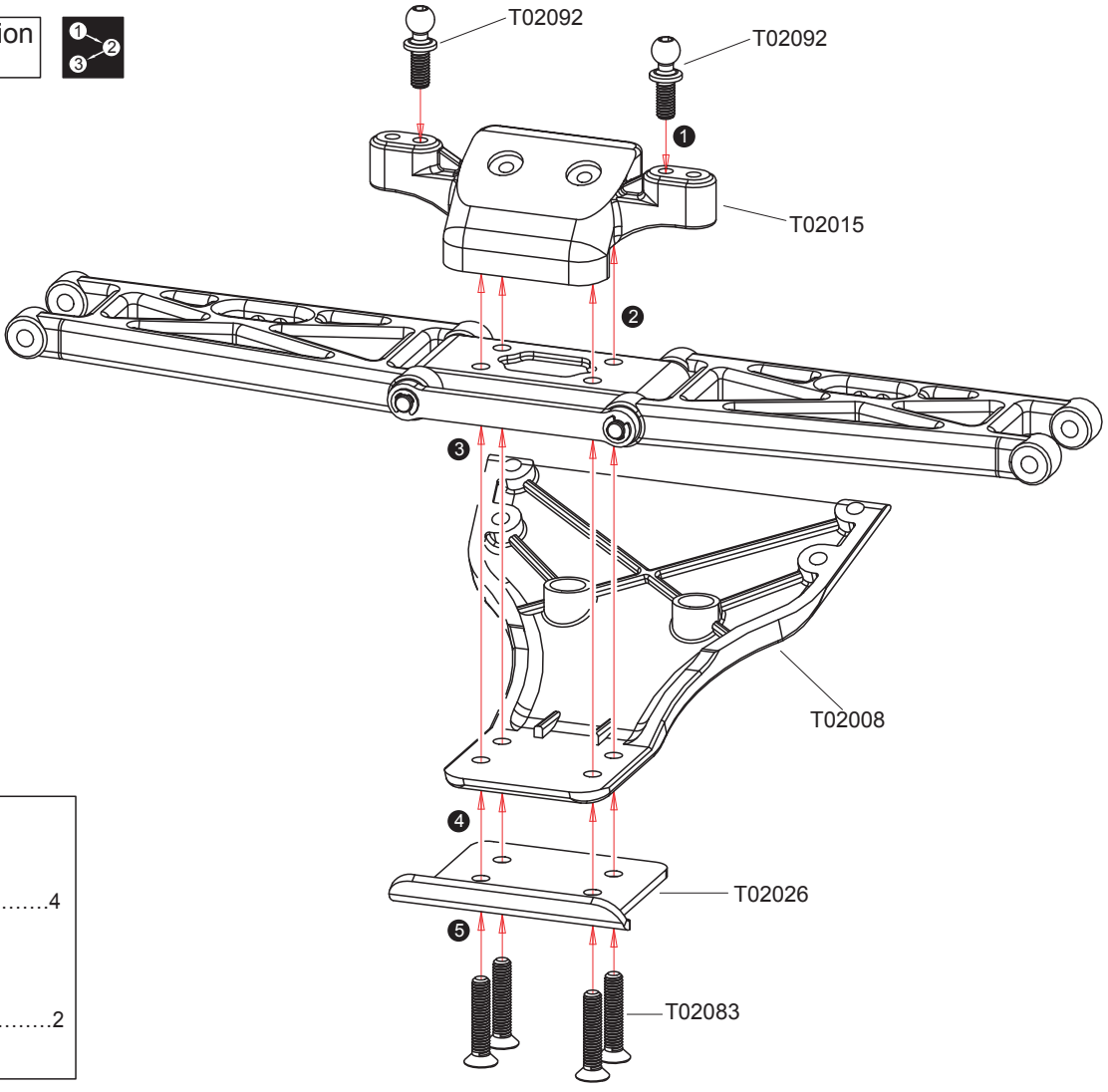
T02056 3x34.5 Hinge pin front inner




.....2



# 2 Front Suspension

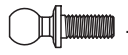


T02083 M3x15 Screw





.....4

T02092 Ball stud - long

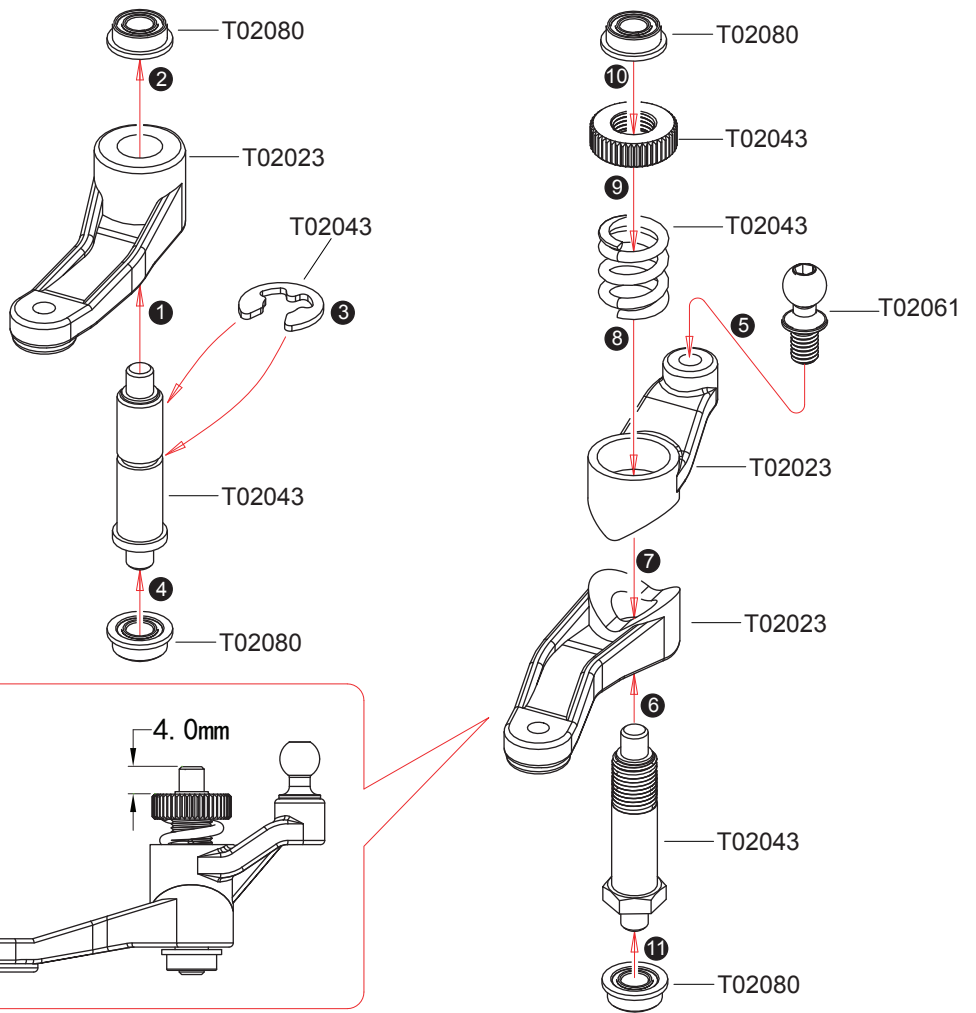


.....2

 Assemble in the specified order

 Assemble left and right sides the same way

### 3 Buffer

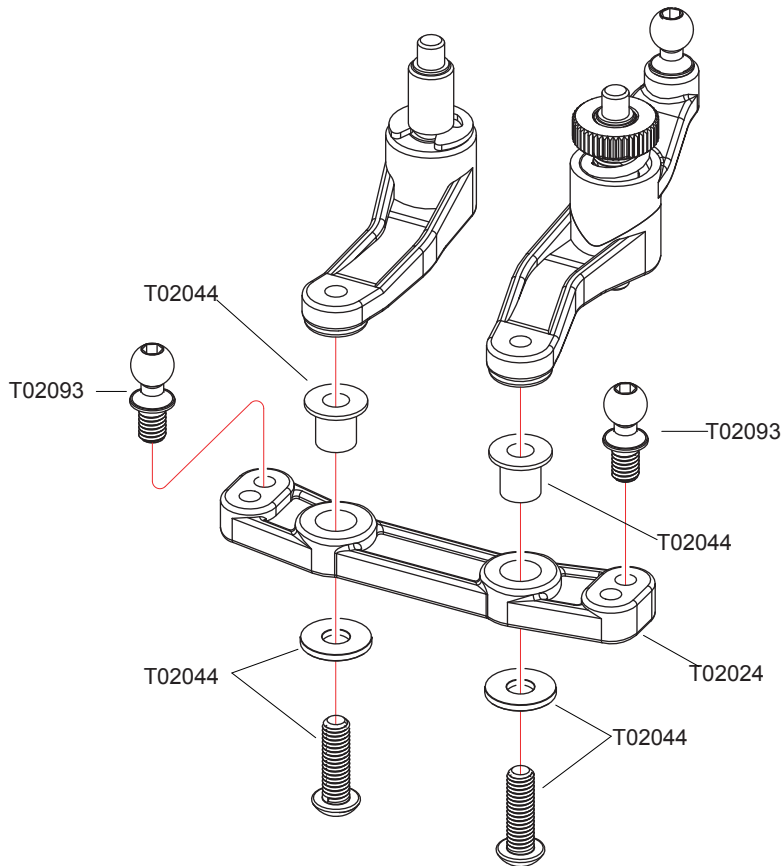


T02043 4.0 E-ring

T02080 3x6x2.5 Ball Bearing

T02061 Ball stud - silvery

### 4 Buffer

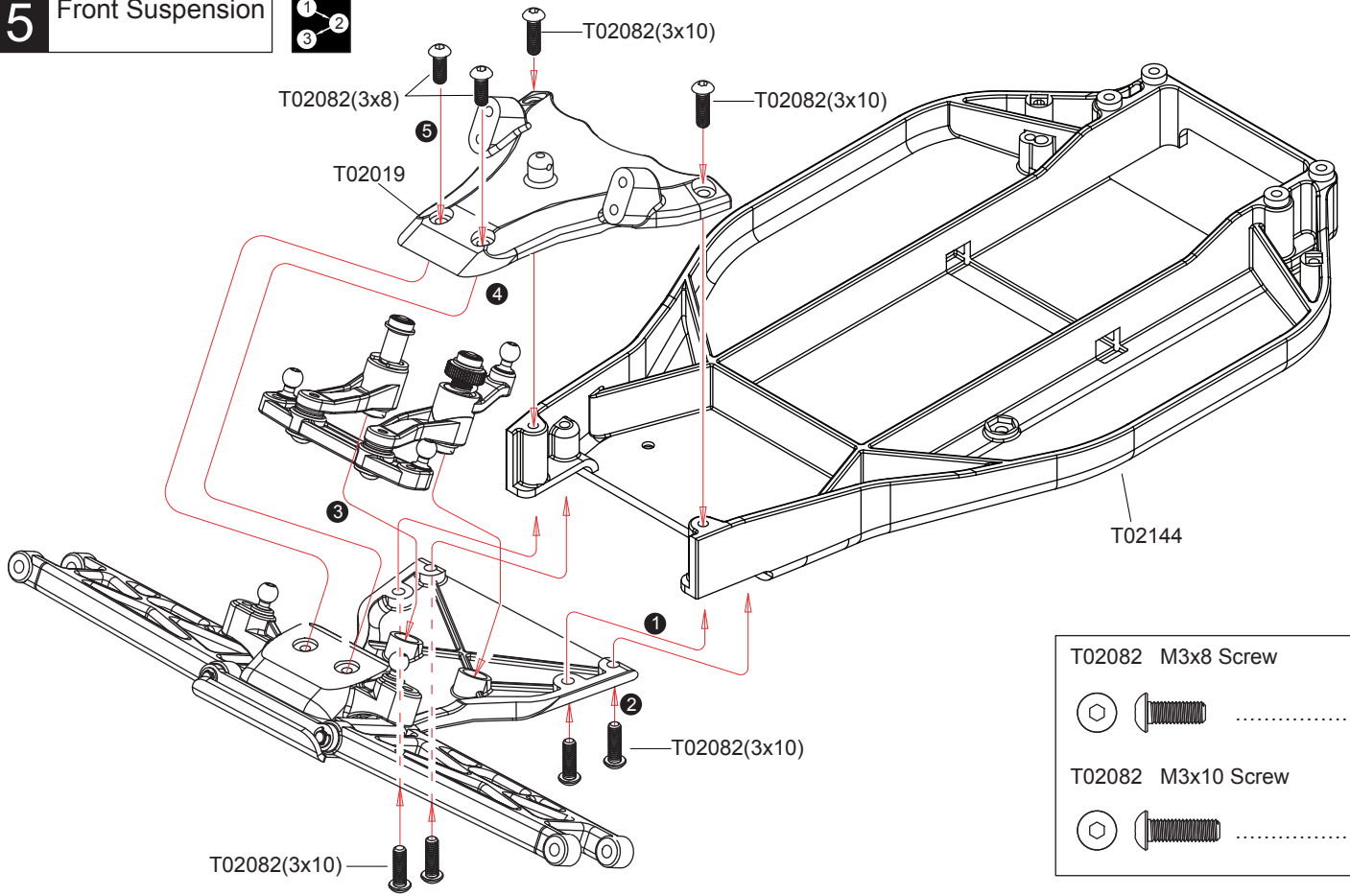


T02044 4.5x5.4 Block Carrier

T02093 Ball stud - short

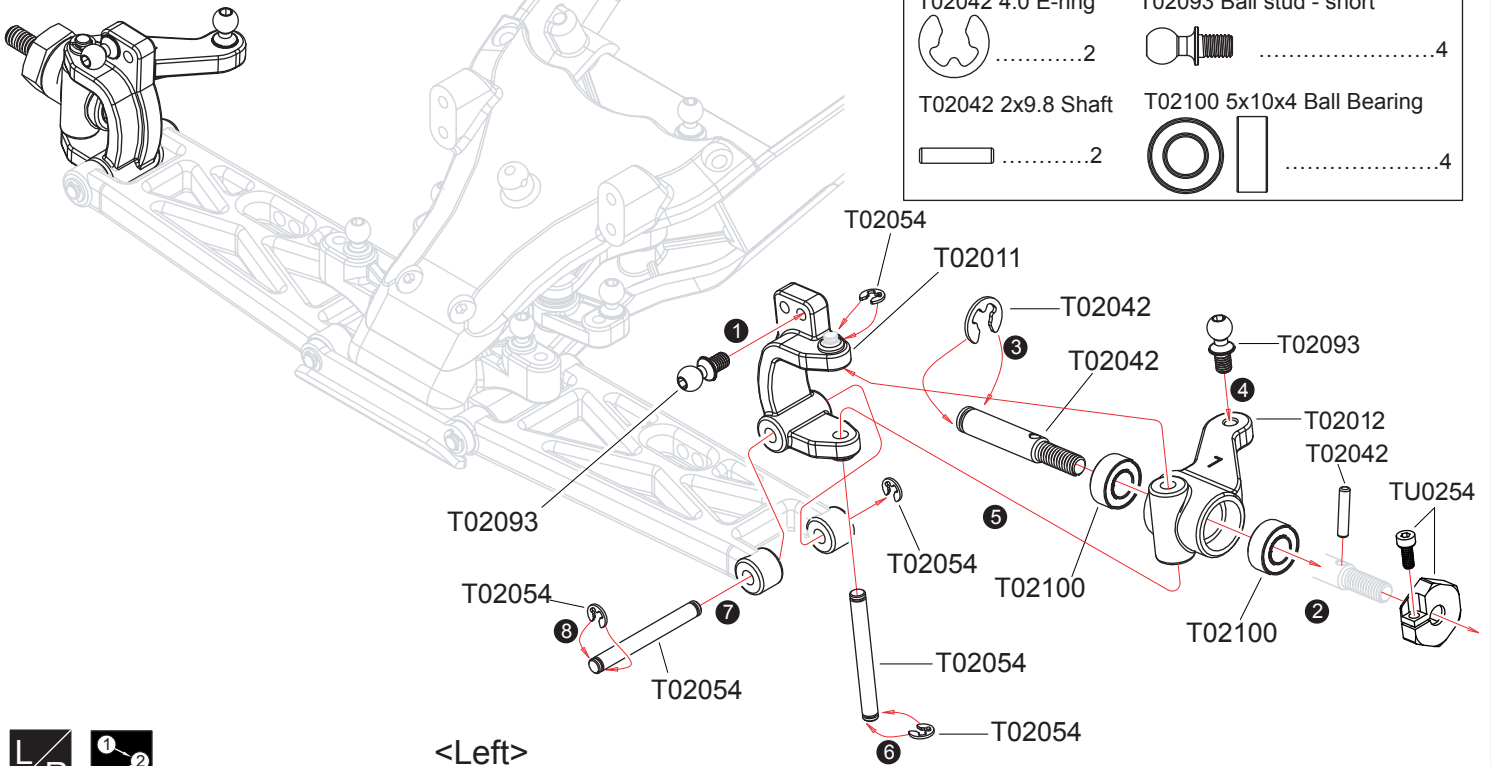
T02044 3x7x0.8 Washer

# 5 Front Suspension



# 6 Front Suspension

<Right>



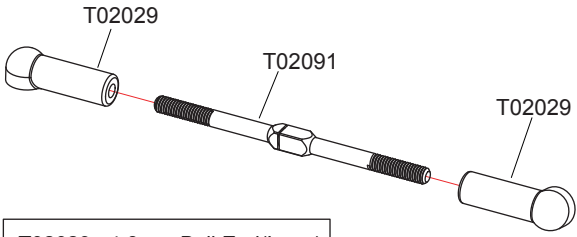
<Left>



Assemble in the specified order

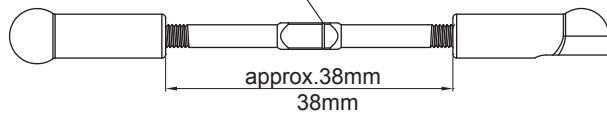
Assemble left and right sides the same way

# 7 Front Suspension



- T02029 4.8mm Ball End(Long) .....8
- T02091 3x54 Adjust Rod .....4

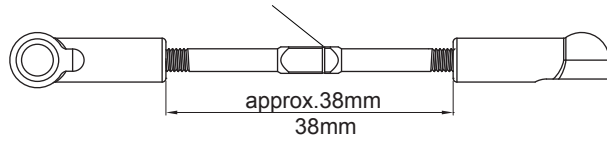
► Projection.Note direction



Front Upper(Right)

**x1 1:1**

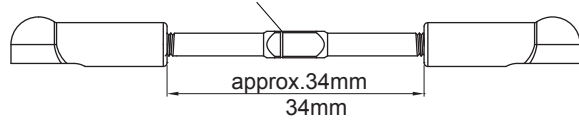
► Projection.Note direction



Front Upper (Left)

**x1 1:1**

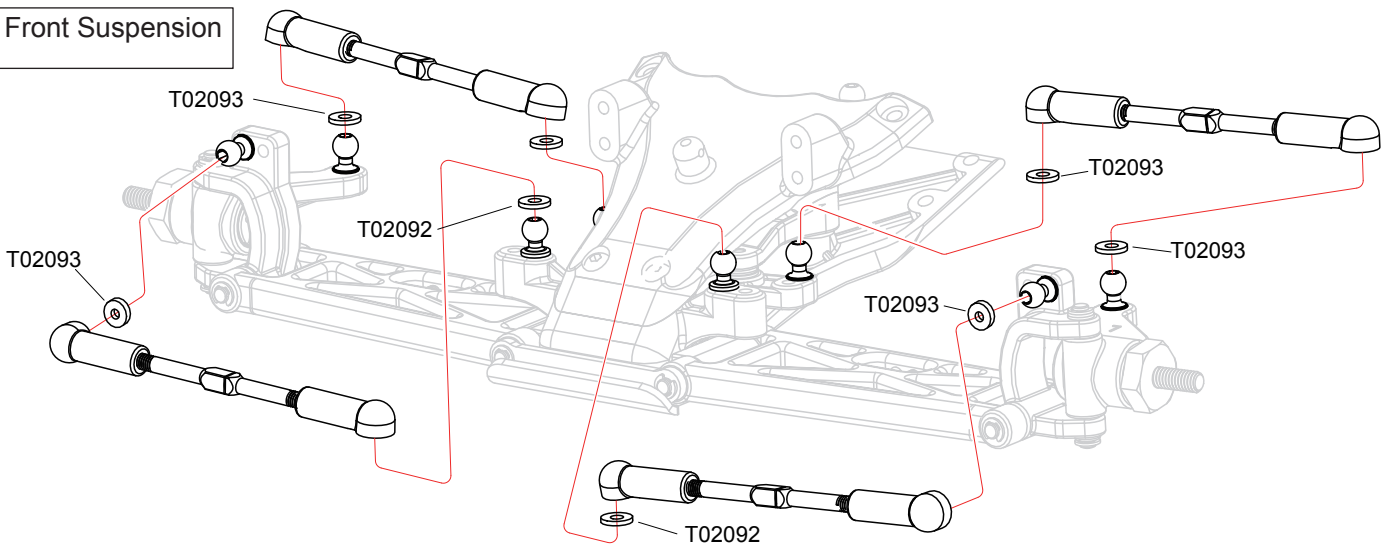
► Projection.Note direction



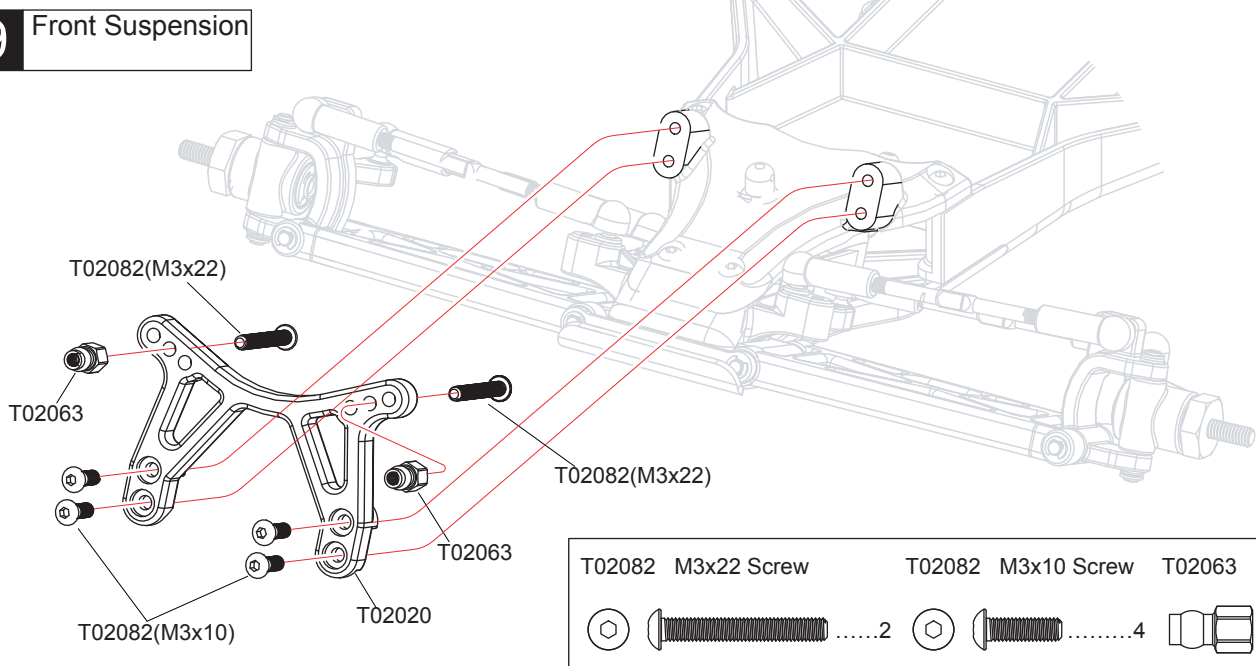
Steering Tip

**x2 1:1**

# 8 Front Suspension



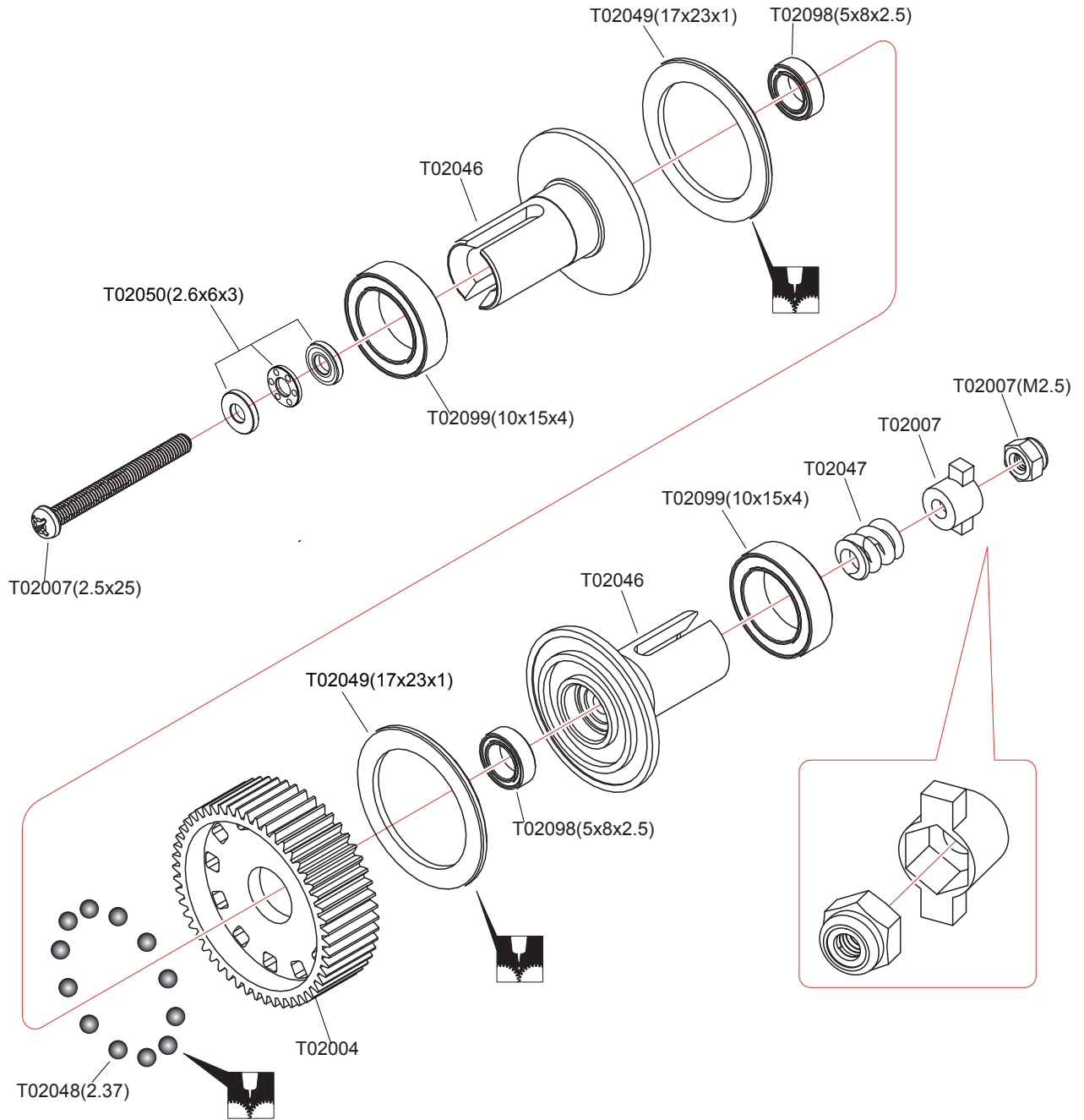
# 9 Front Suspension

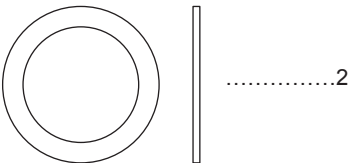







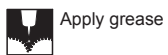
- T02082 M3x22 Screw .....2
- T02082 M3x10 Screw .....4
- T02063 5mm Ball stud .....2



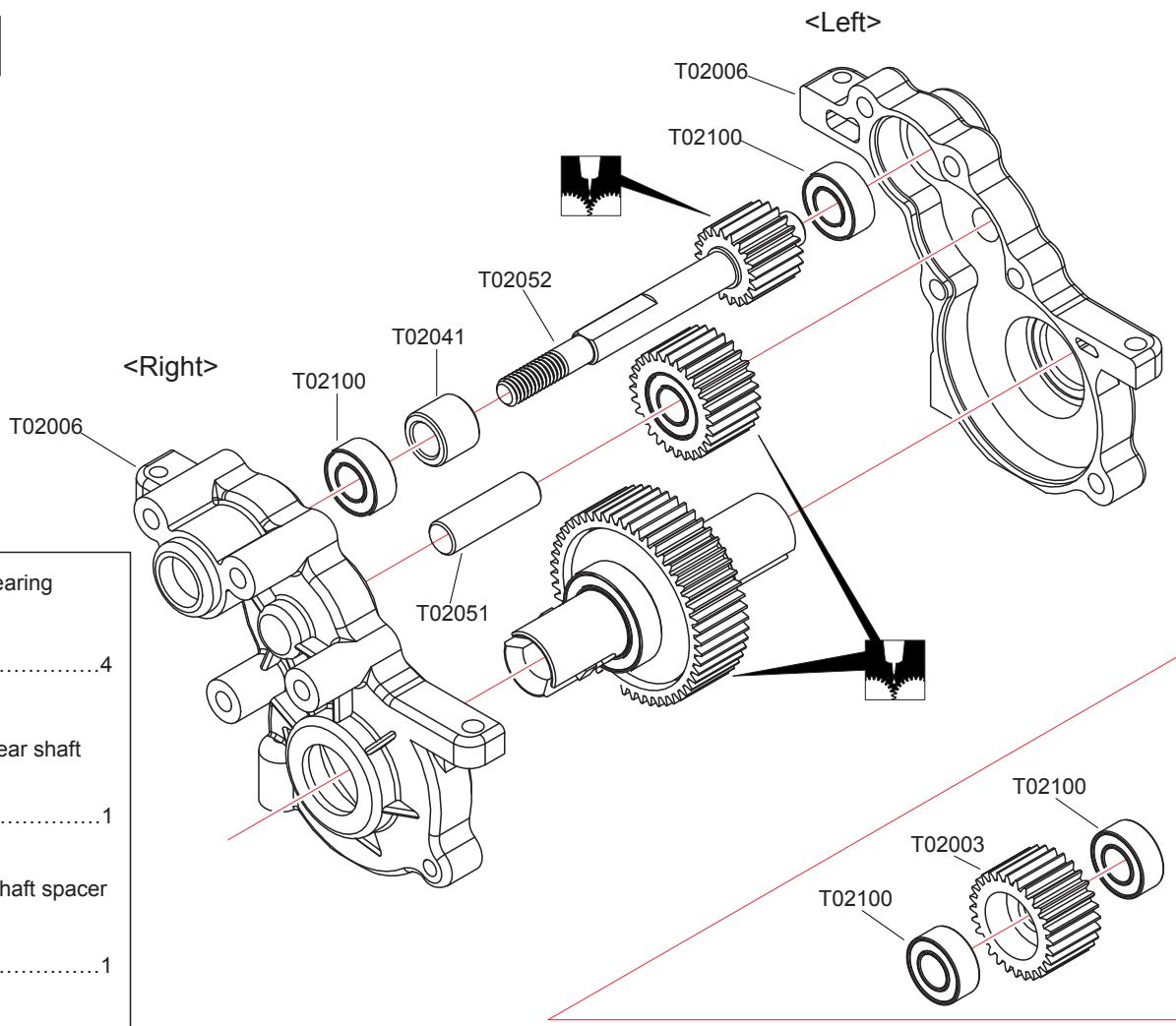
# 10 Differential Gear



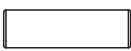




<p>T02049 17x23x1 Washer</p>  <p>.....2</p>	<p>T02007 M2.5x25 Screw</p>  <p>.....1</p>	<p>T02098 5x8x2.5 Ball Bearing</p>  <p>.....2</p>
<p>T02099 10x15x4 Ball Bearing</p>  <p>.....2</p>	<p>T02007 M2.5 Nylon Nut</p>  <p>.....1</p>	<p>T02048 2.37mm Ball</p>  <p>.....12</p>

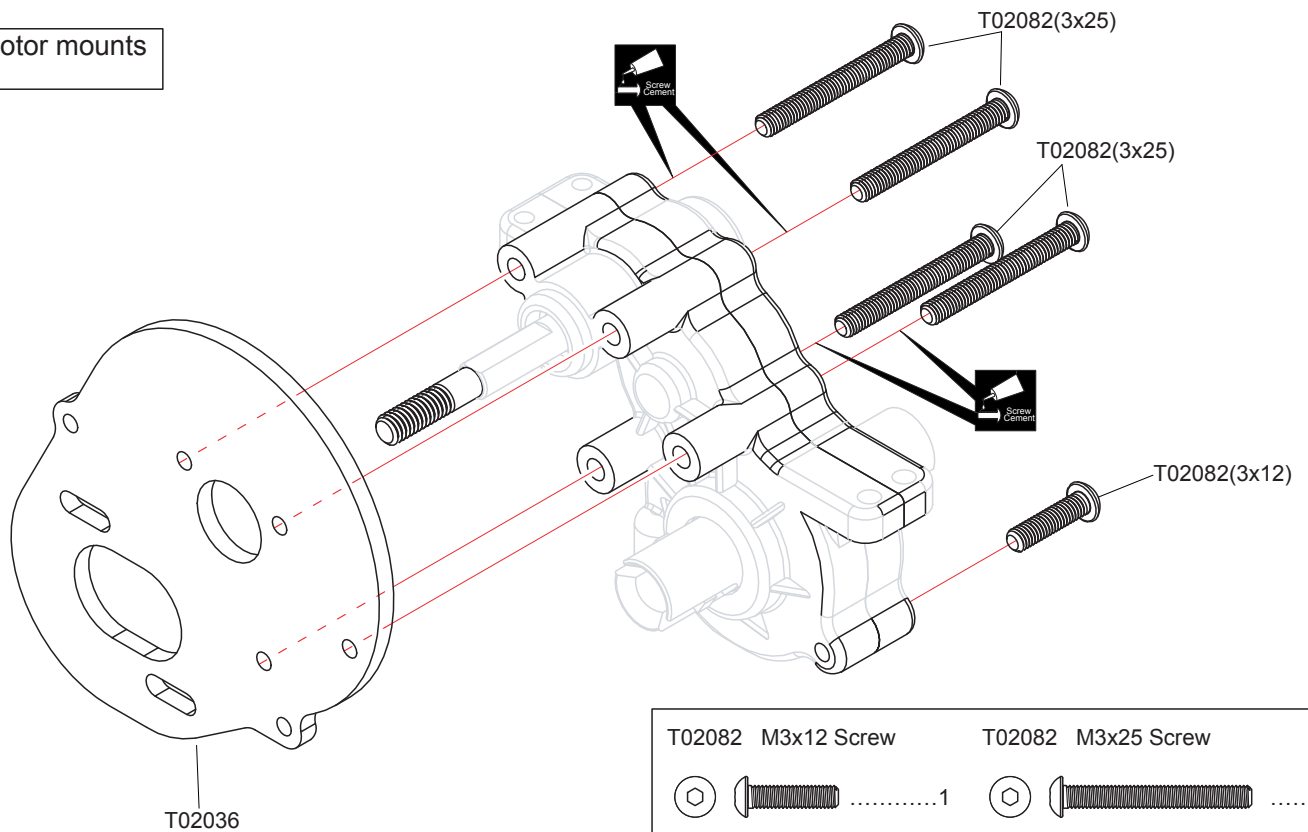




# 11 Transmission



T02100	5x10x4 Ball Bearing			.....4
T02051	5x16.8 idler gear shaft			.....1
T02041	5x8x6.7 Top shaft spacer			.....1

# 12 Motor mounts



T02082	M3x12 Screw		.....1	T02082	M3x25 Screw		.....4
--------	-------------	---	--------	--------	-------------	---	--------



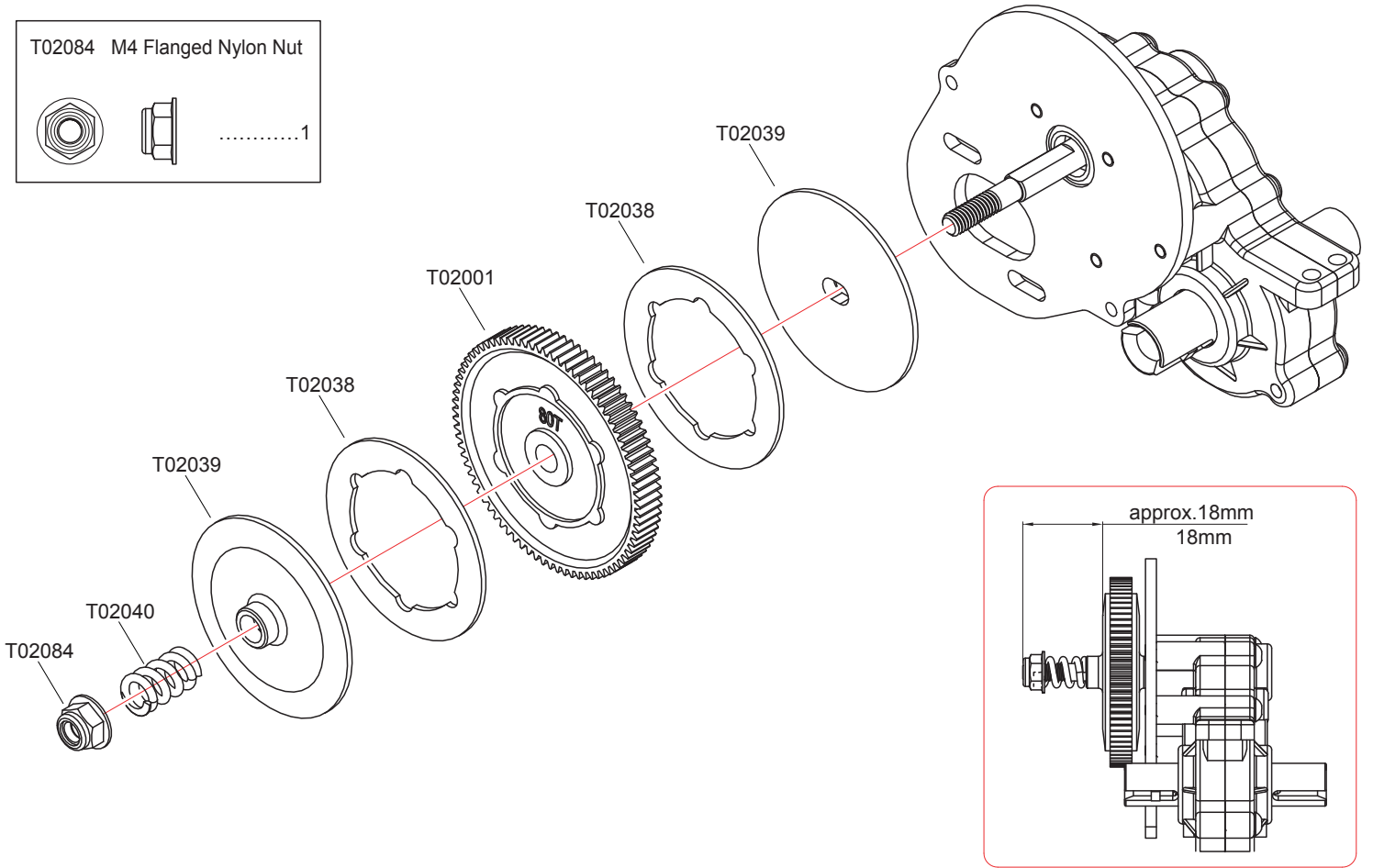
Apply grease



Apply threadlocker(screw cement)

# 13 Main Gear

T02084 M4 Flanged Nylon Nut



# 14 Rear Damper Tower

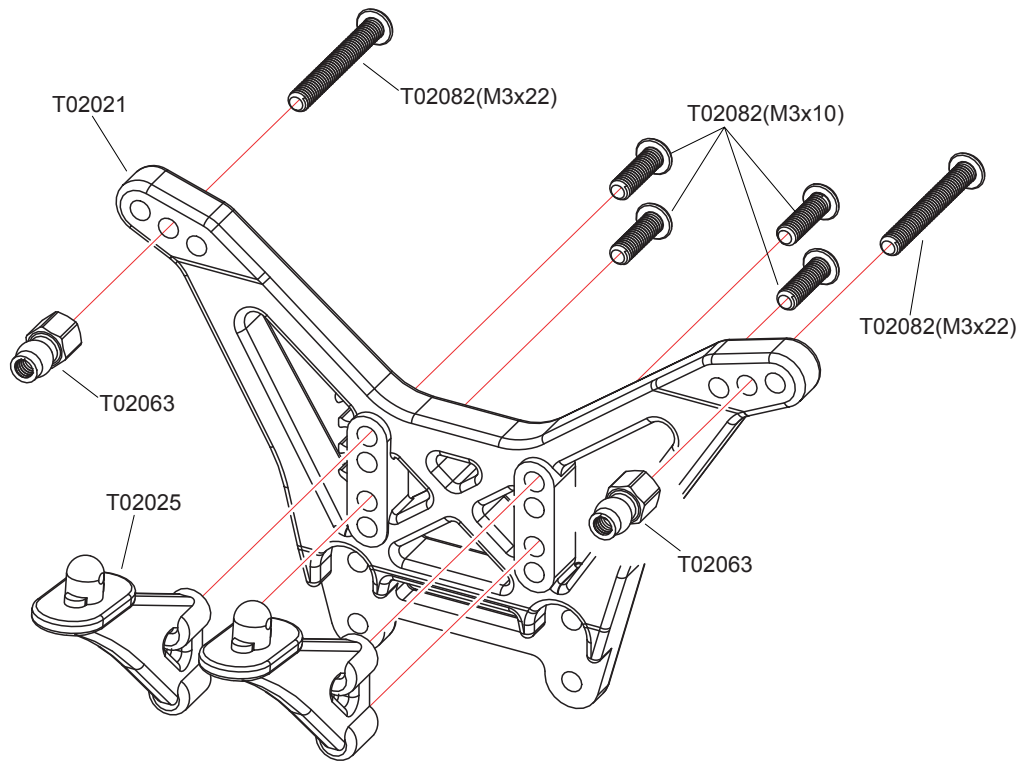
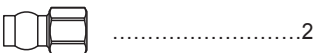
T02082 M3x10 Screw



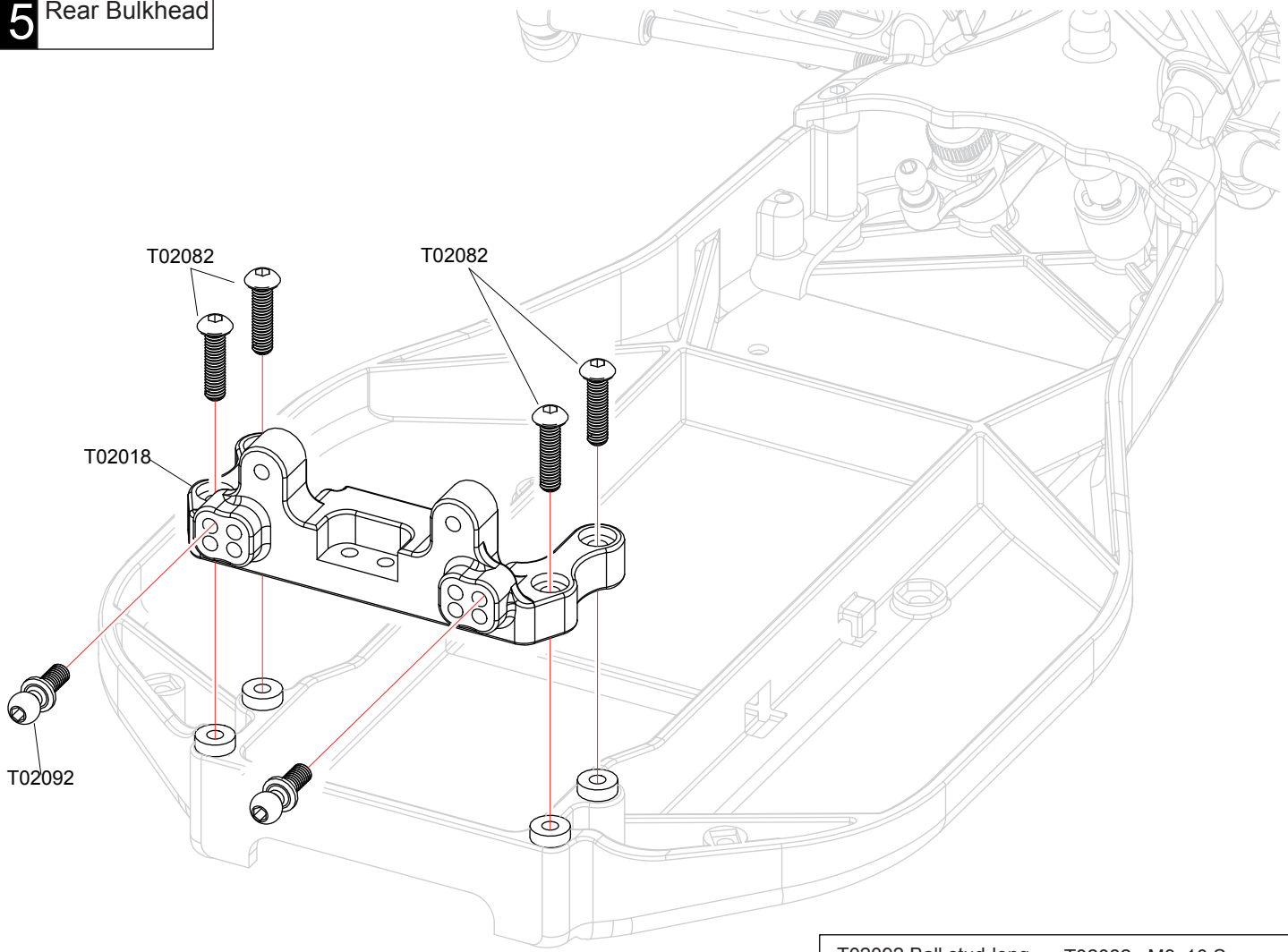
T02082 M3x22 Screw





T02063 5mm Ball stud

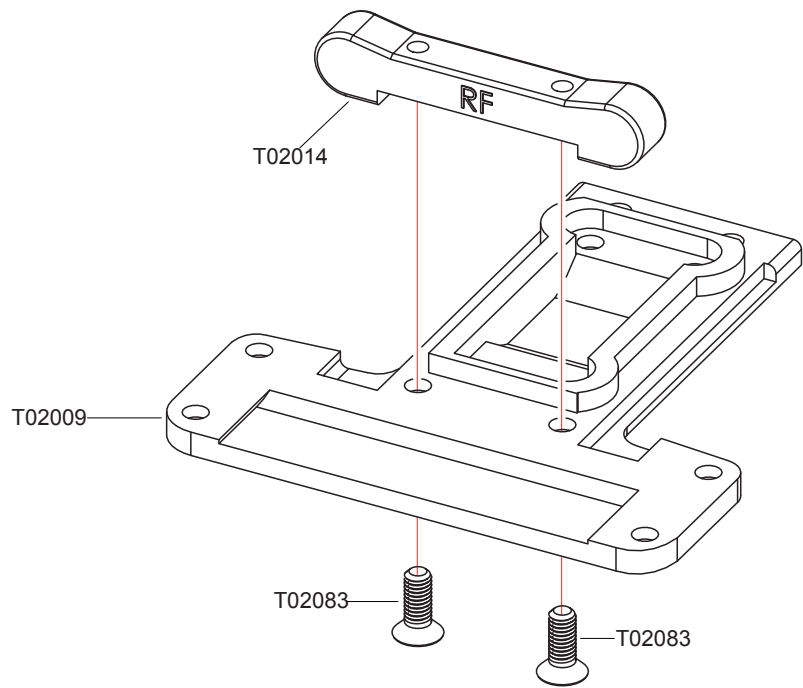



# 15 Rear Bulkhead



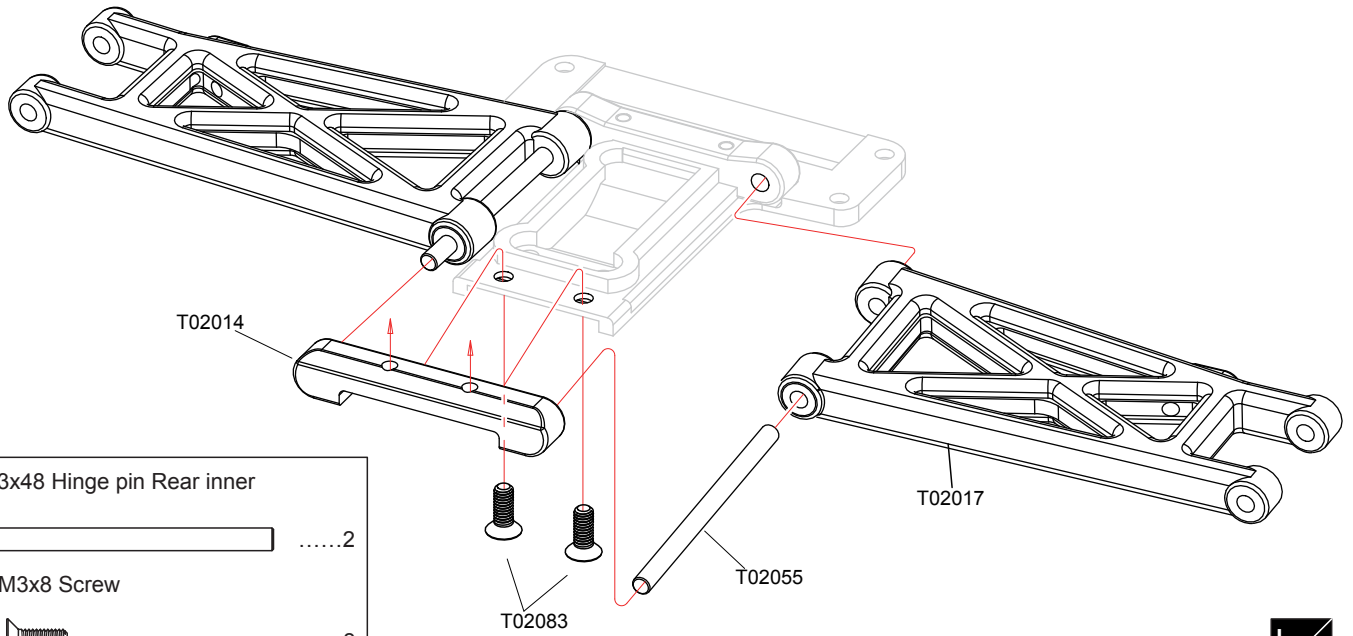
T02092 Ball stud-long	T02082 M3x10 Screw
 .....	 .....
2	4

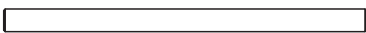

# 16 Rear Chassis



T02083 M3x8 Screw
 .....
2

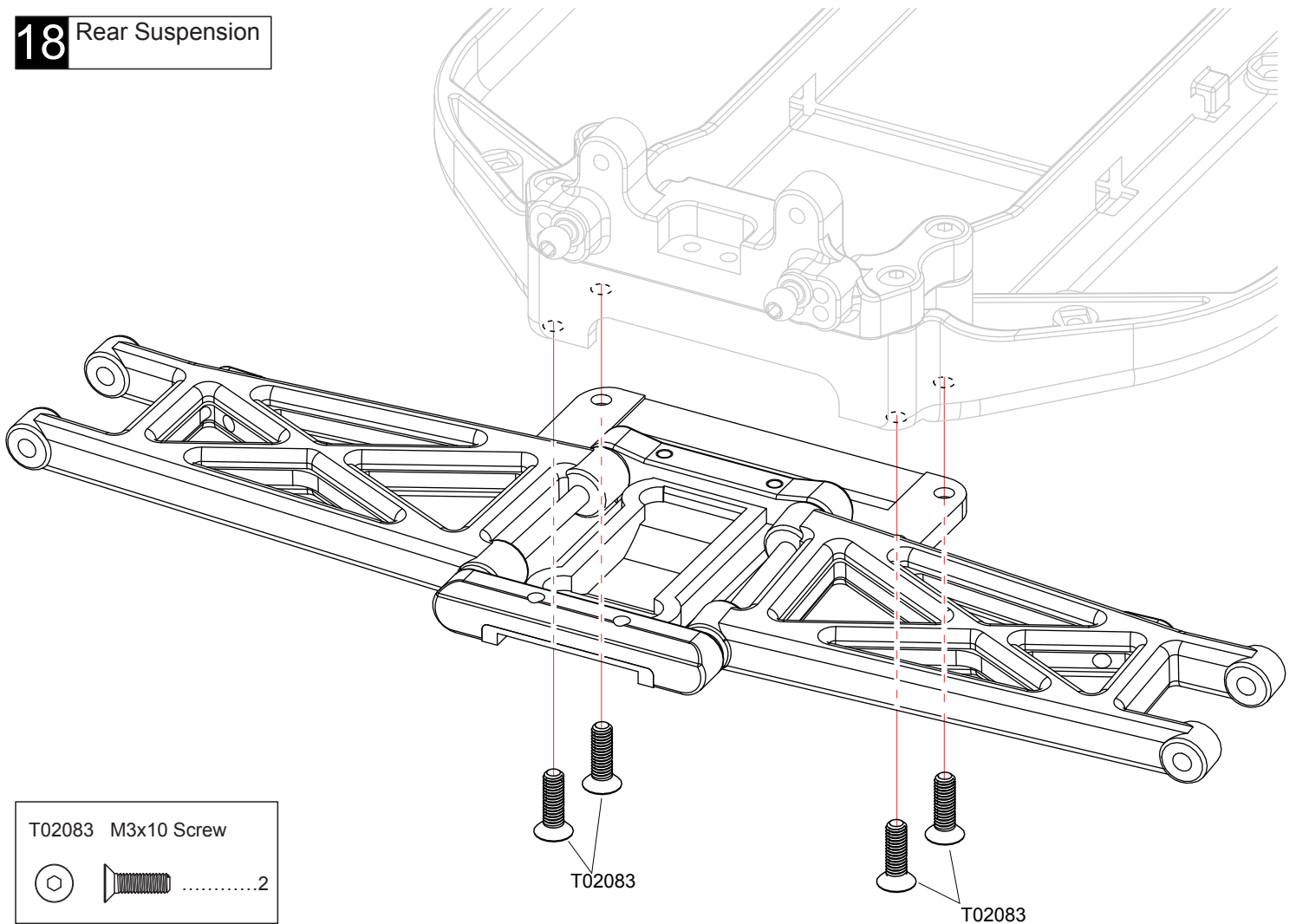
# 17 Rear Suspension




- T02055 3x48 Hinge pin Rear inner  
 .....2
- T02083 M3x8 Screw  
 .....2

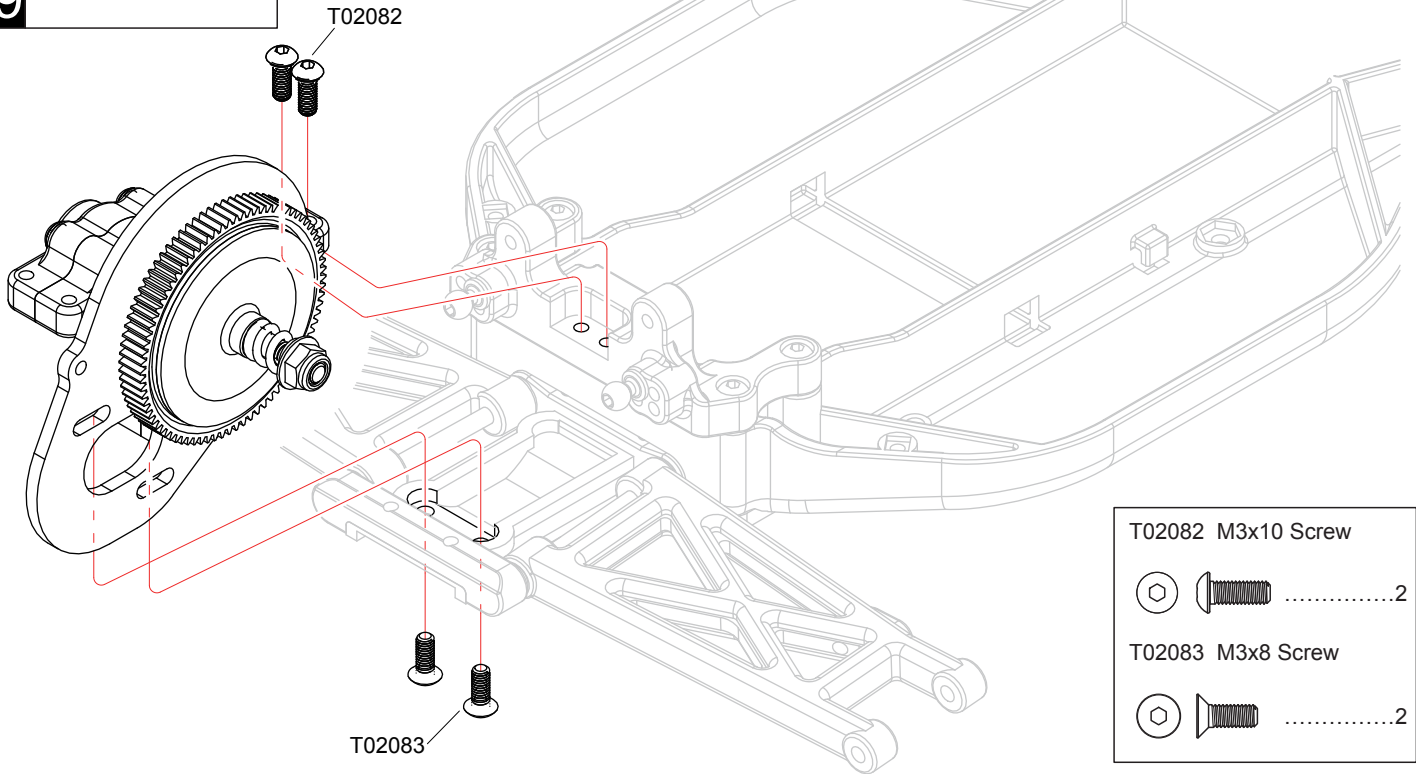




# 18 Rear Suspension



- T02083 M3x10 Screw  
 .....2



# 19 Rear Transmission

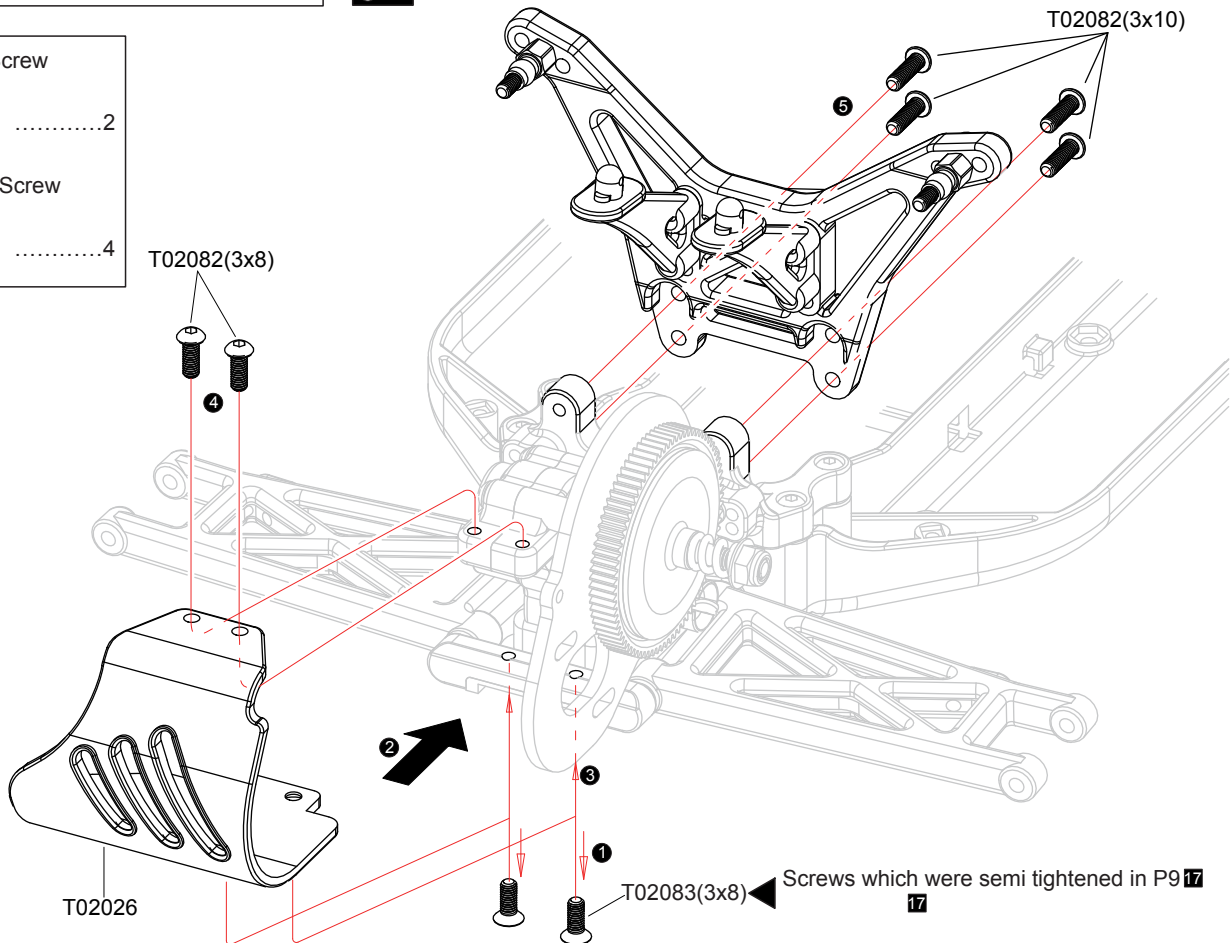


- T02082 M3x10 Screw  
 .....2
- T02083 M3x8 Screw  
 .....2

# 20 Rear Shock Tower & Rear Fender

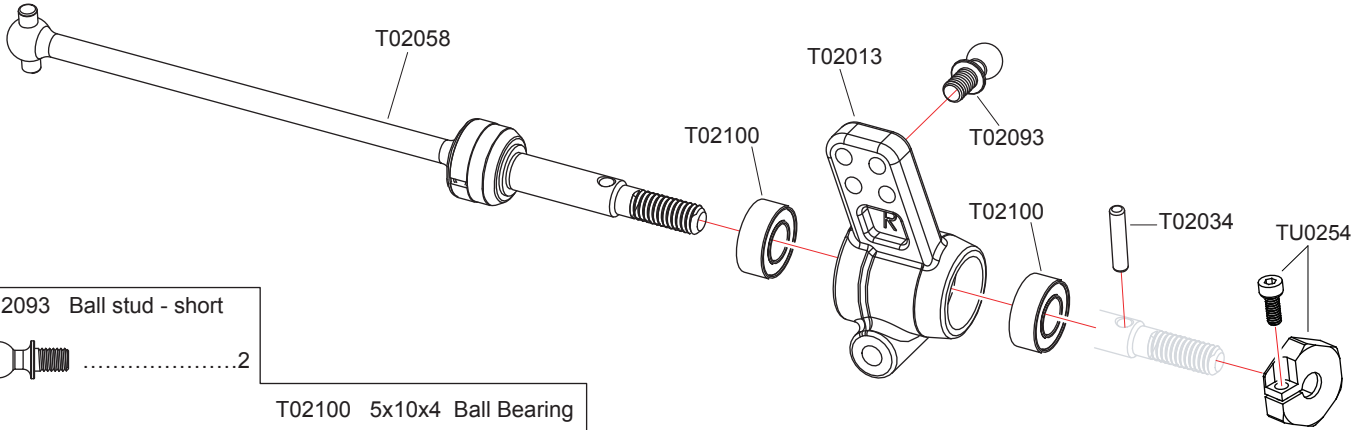
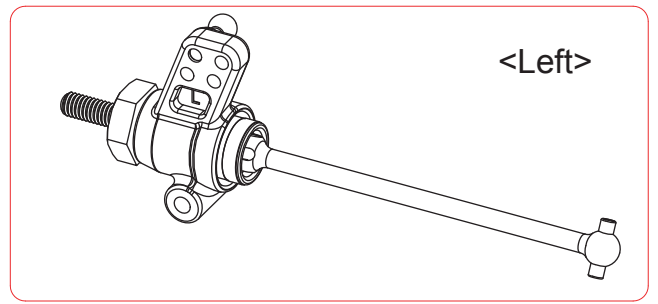



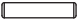


- T02082 M3x8 Screw  
 .....2
- T02082 M3x10 Screw  
 .....4



# 21 Rear Suspension

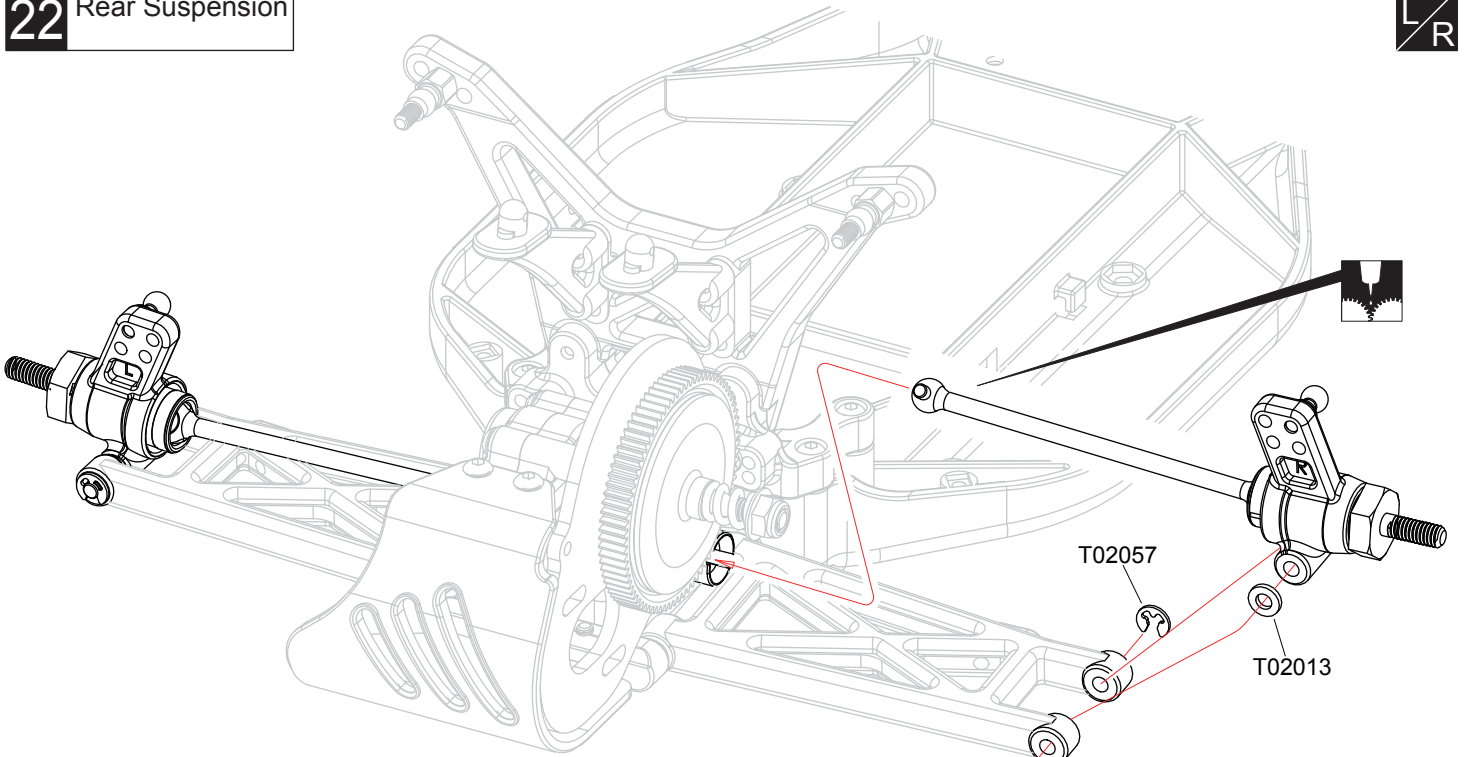
<Right>



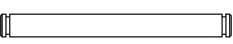




- T02093 Ball stud - short  
 .....2
- T02034 2x9.8 Shaft  
 .....2
- T02100 5x10x4 Ball Bearing  
  .....4



# 22 Rear Suspension



- T02057 2.3 E-ring  
 .....4
- T02013 3.1x6x1 Plastic Washer  
 .....2
- T02057 3x30.5 Hinge pin Rear outer  
 .....2

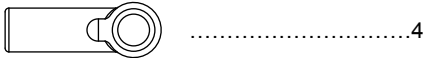
 Assemble left and right sides the same way  Apply grease

# 23 Rear Suspension

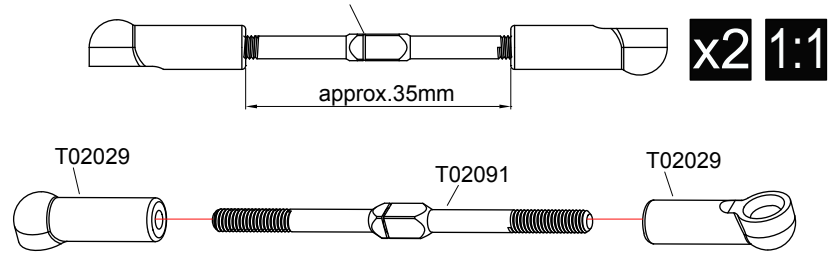
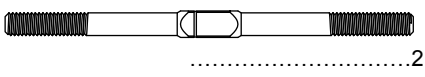
► Projection.Note direction

Rear Upper

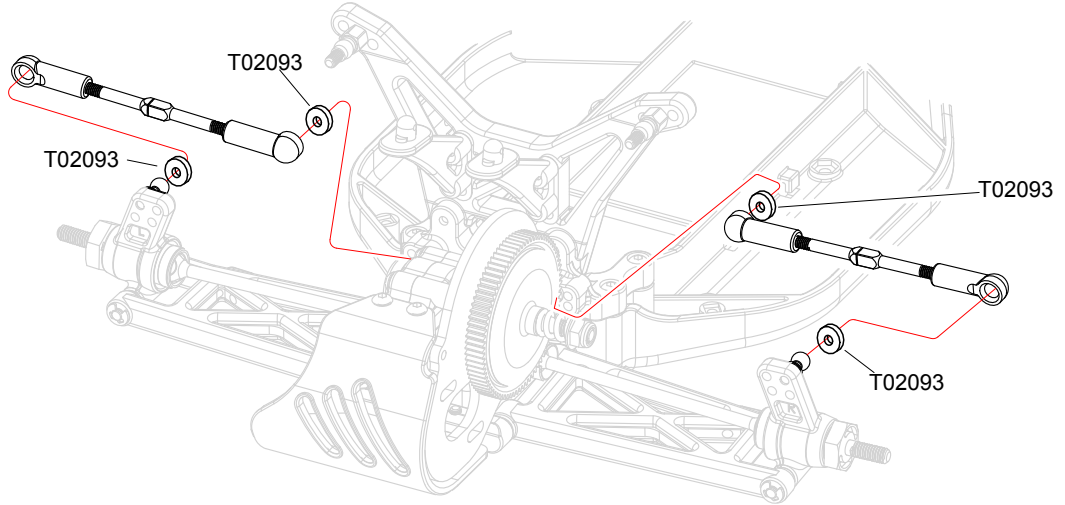
T02029 4.8mm Ball End(Long)



T02091 3x54 Adjust Rod



# 24 Rear Suspension

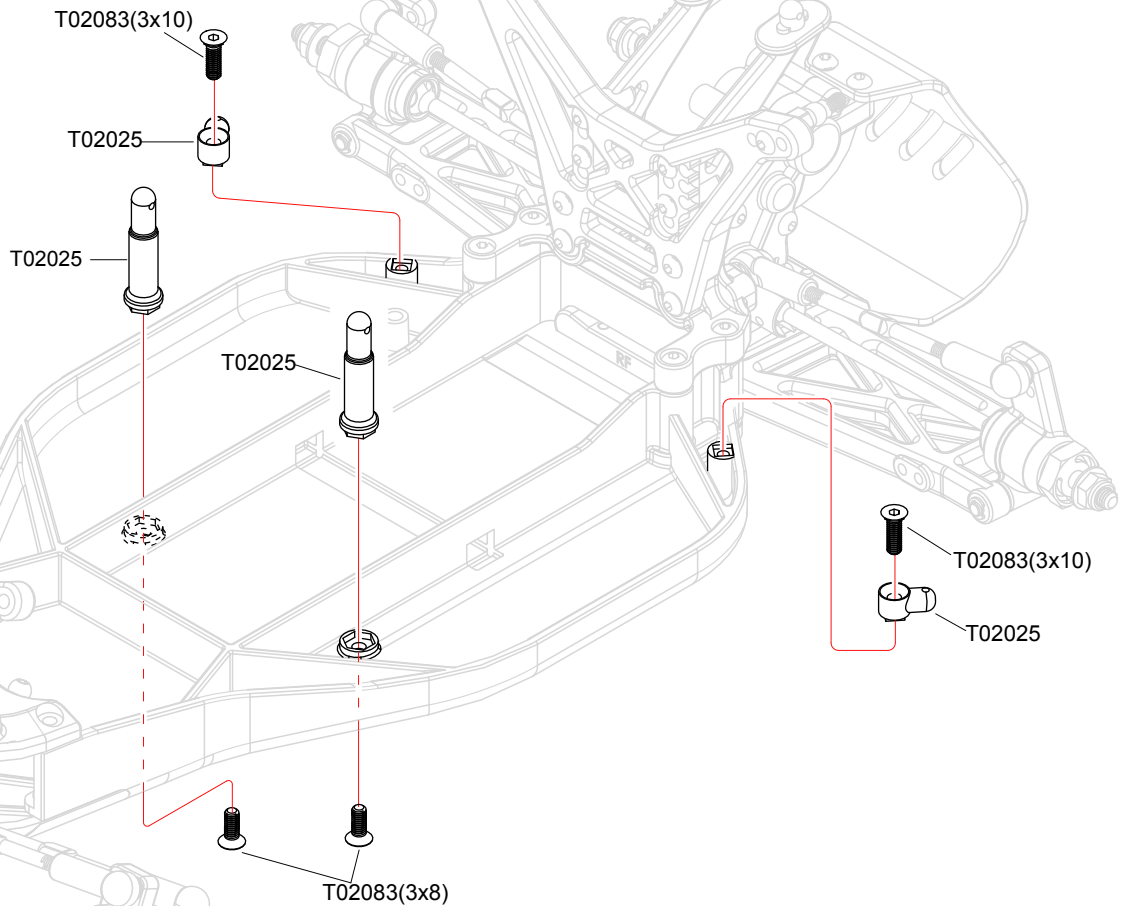


# 25 Main Chassis

T02083 M3x8 Screw



T02083 M3x10 Screw



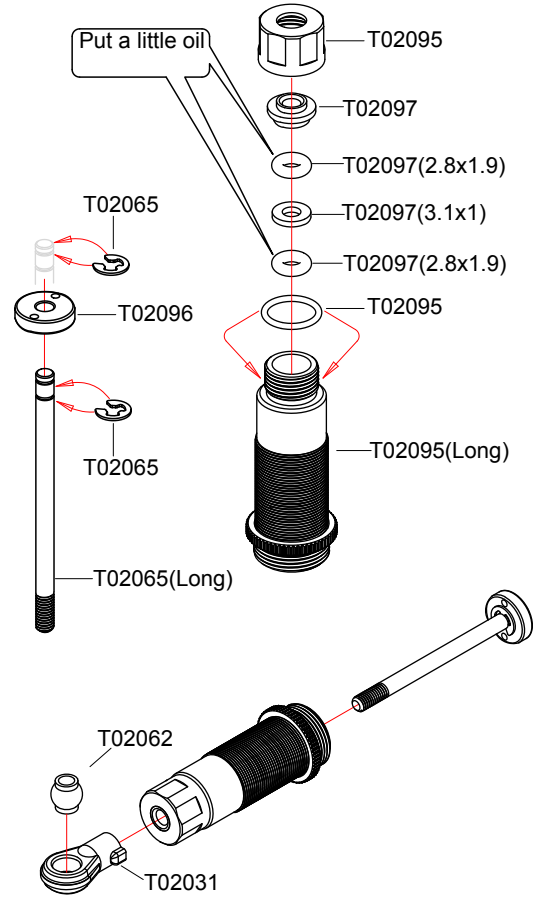
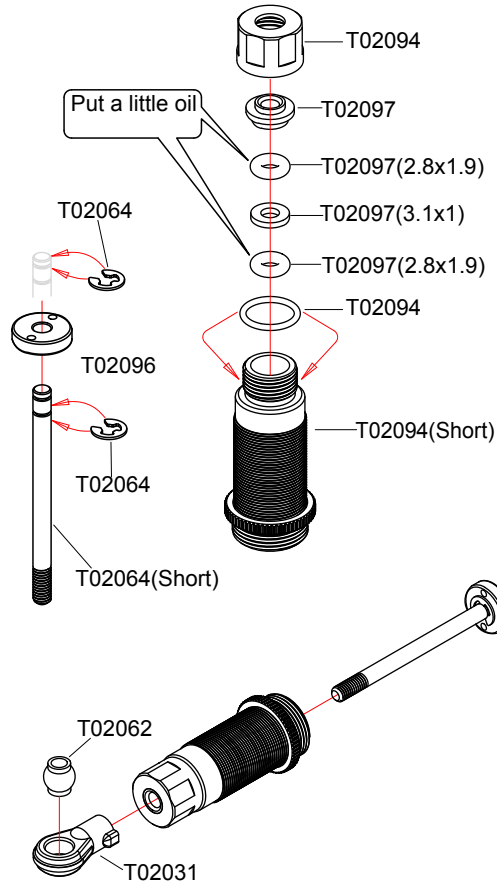


# 26 Shock Absorber

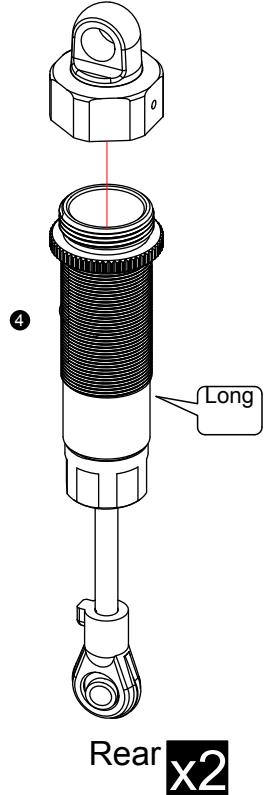
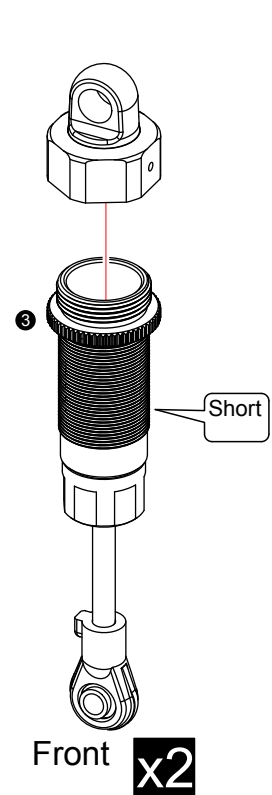
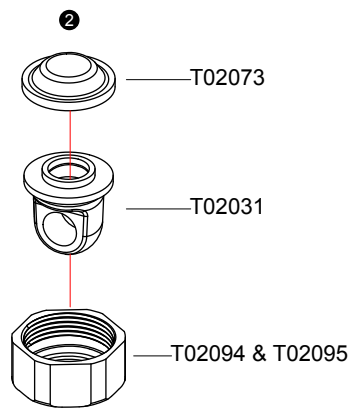
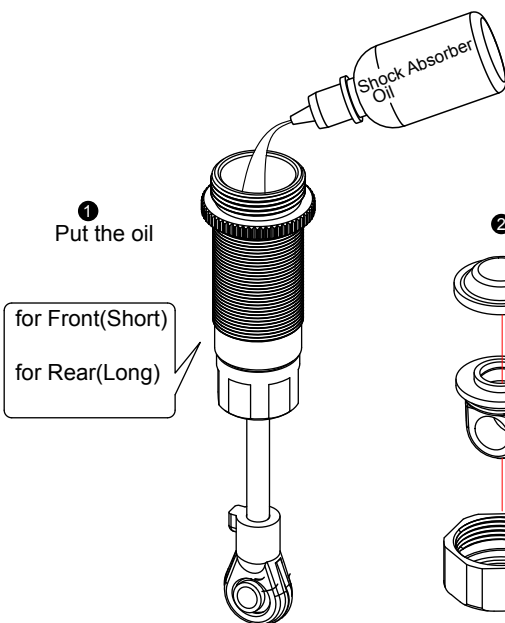
Front **x2**

Rear **x2**

T02064 / T02065 2.3 E-ring	8
T02096 9.9x2.5 Shock Piston	4
T02097 2.8x1.9 O-ring	8
T02097 3.1x1mm Washer	4
T02094&T02095 8x1 O-ring	4
T02031 5.8 Ball End	4
T02062 5.8x6 Ball stud	4



# 27 Shock Absorber



**F/R** **x2**

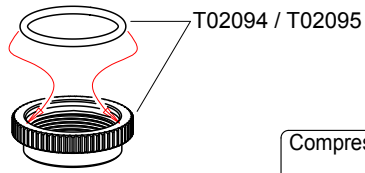
**F/R** **x2**

Front **x2**

Rear **x2**

# 28 Shock Absorber

Front **x2**



**x4**

Compress the spring and install

for adjusting the spring tension

T02031

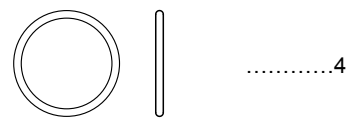
Short

T02071(Short)

Short

Long

T02094&T02095 12x1 O - ring



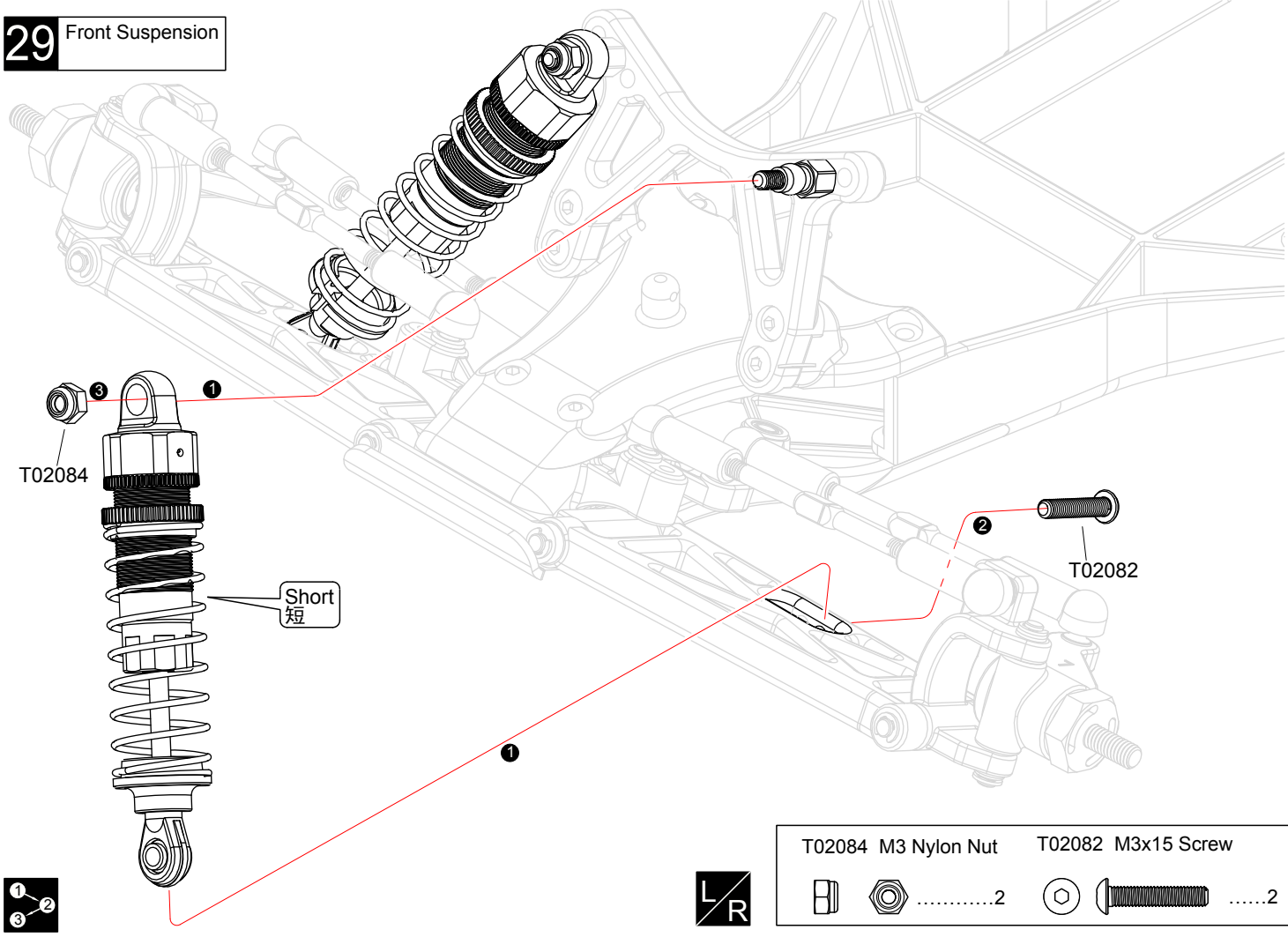
.....4

T02031

T02072(Long)

Rear **x2**

# 29 Front Suspension

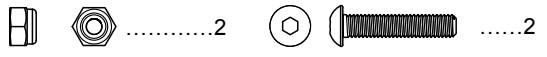


T02084

Short  
短

T02082

T02084 M3 Nylon Nut    T02082 M3x15 Screw

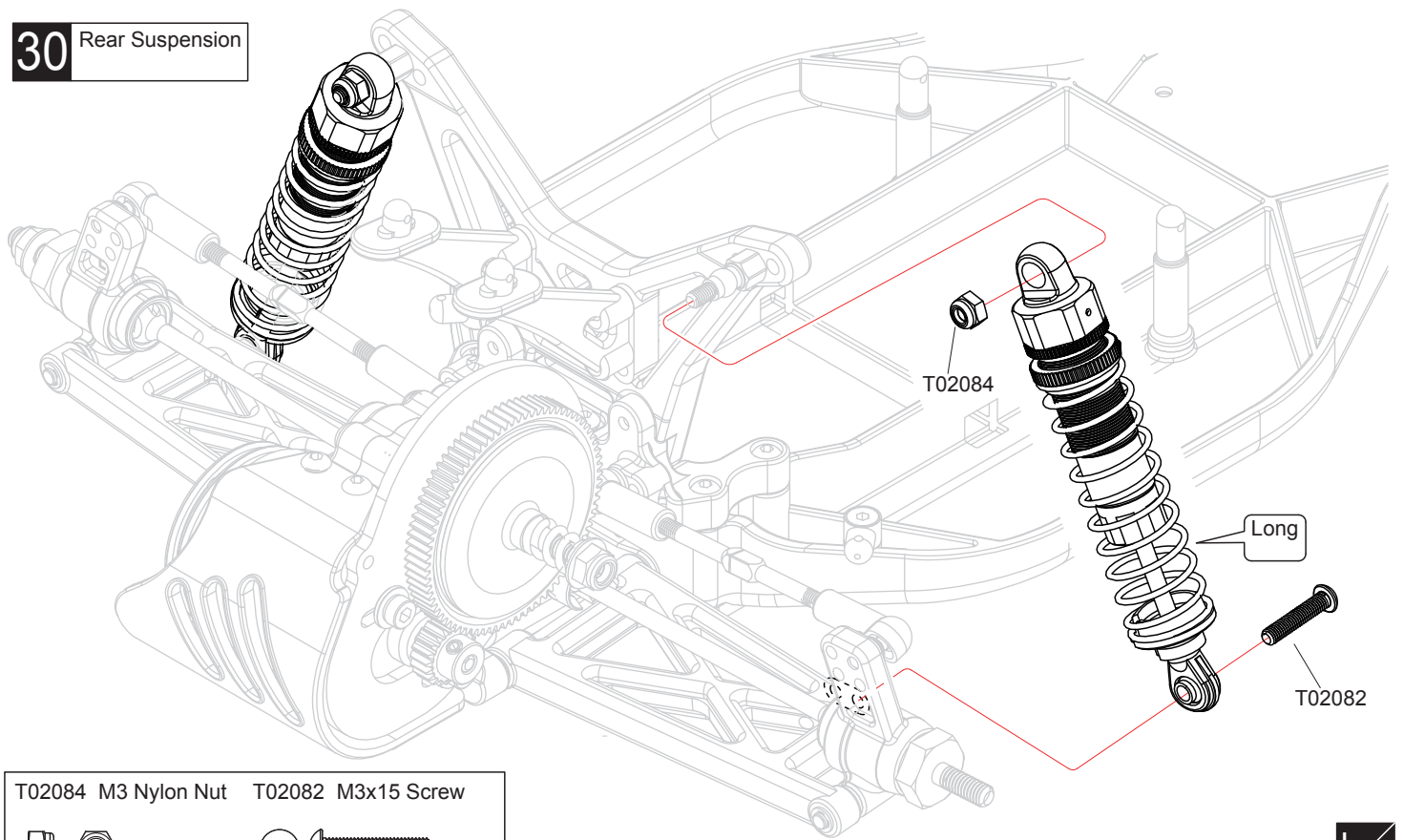


**x2** Assemble as many times as specified

Assemble in the specified order

Assemble left and rear sides the same way

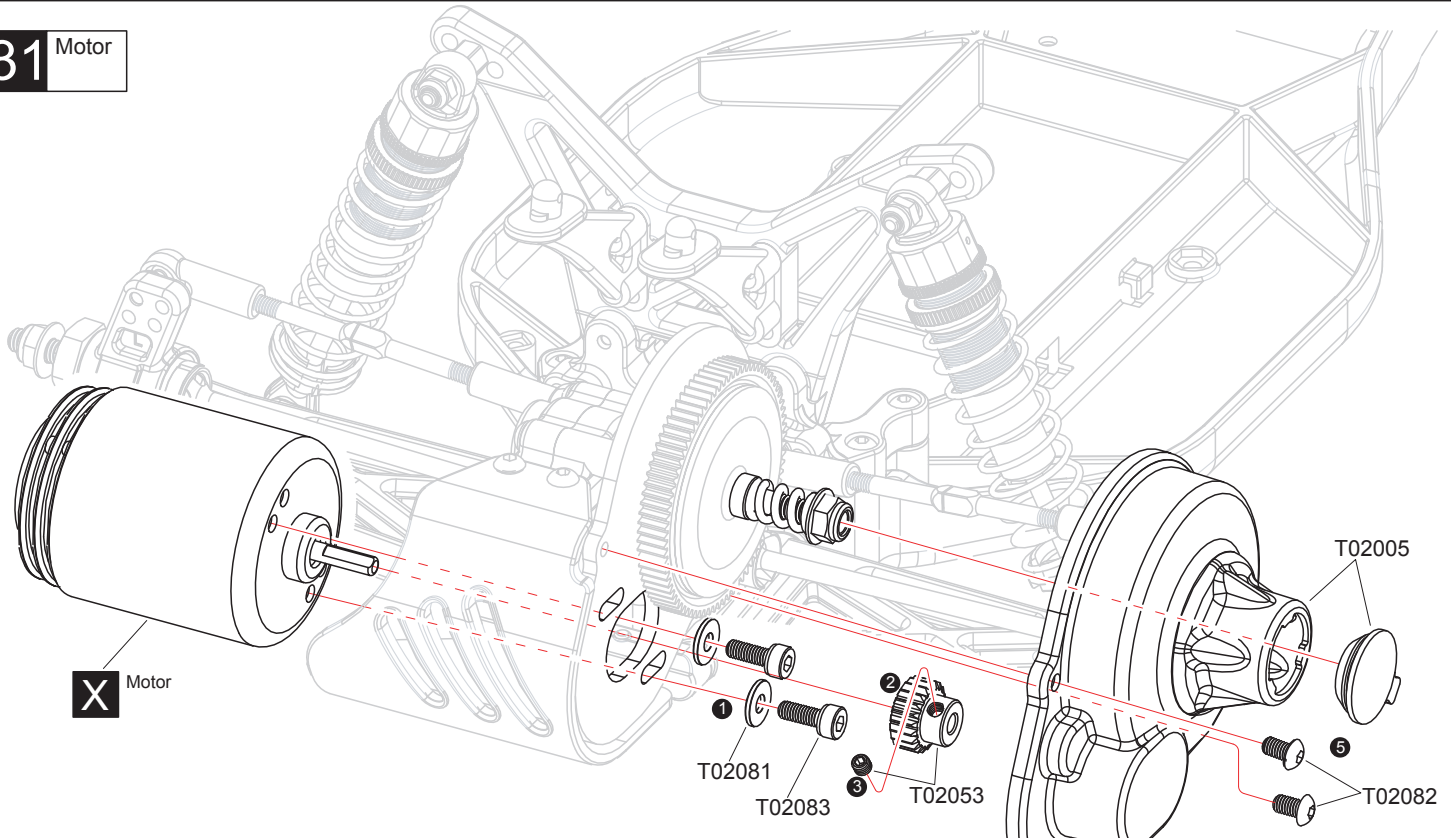
# 30 Rear Suspension



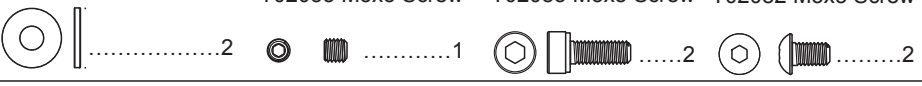
T02084 M3 Nylon Nut    T02082 M3x15 Screw



# 31 Motor



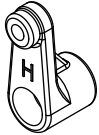
T02081 3x7x0.8 Washer    T02053 M3x3 Screw    T02083 M3x8 Screw    T02082 M3x5 Screw



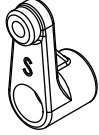
# 32 Steering Servo



Select for your servo

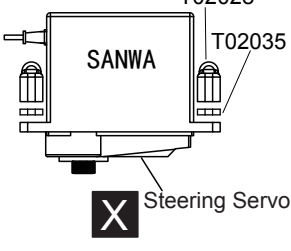


Steering Servo-H(24T)

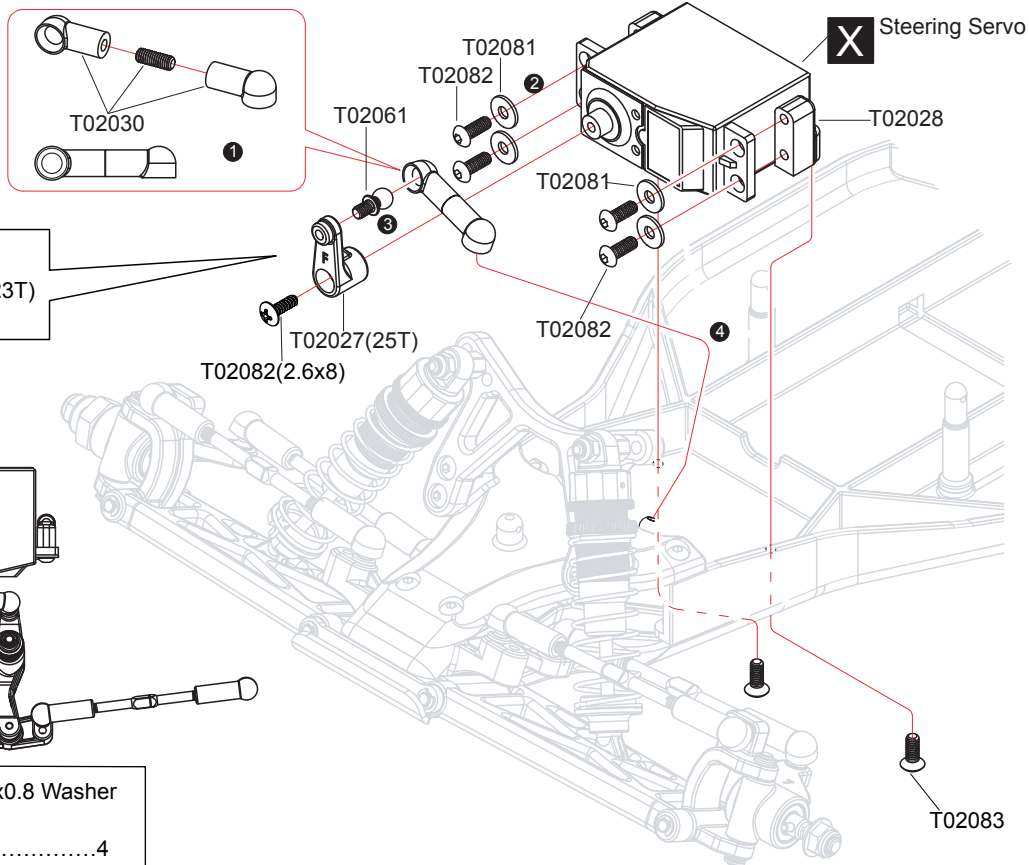


Steering Servo-S(23T)

Sanwa servo



Steering Servo



T02030 4.8 Ball End(Short)

T02081 3x7x0.8 Washer



.....2



.....4

T02061 Ball stud-silvery

T02030 M3x10 Screw

T02082 M3x8 Screw

T02082 M2.6x8 Screw

T02083 M3x8 Screw

T02035 1.5 Servo spacer



.....1



.....1



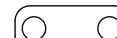
.....4



.....1



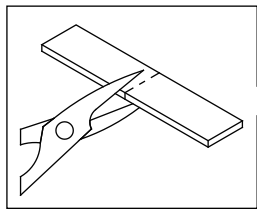
.....2



.....2

# 33 Radio

X Receiver



T02087

Double-sided Tape

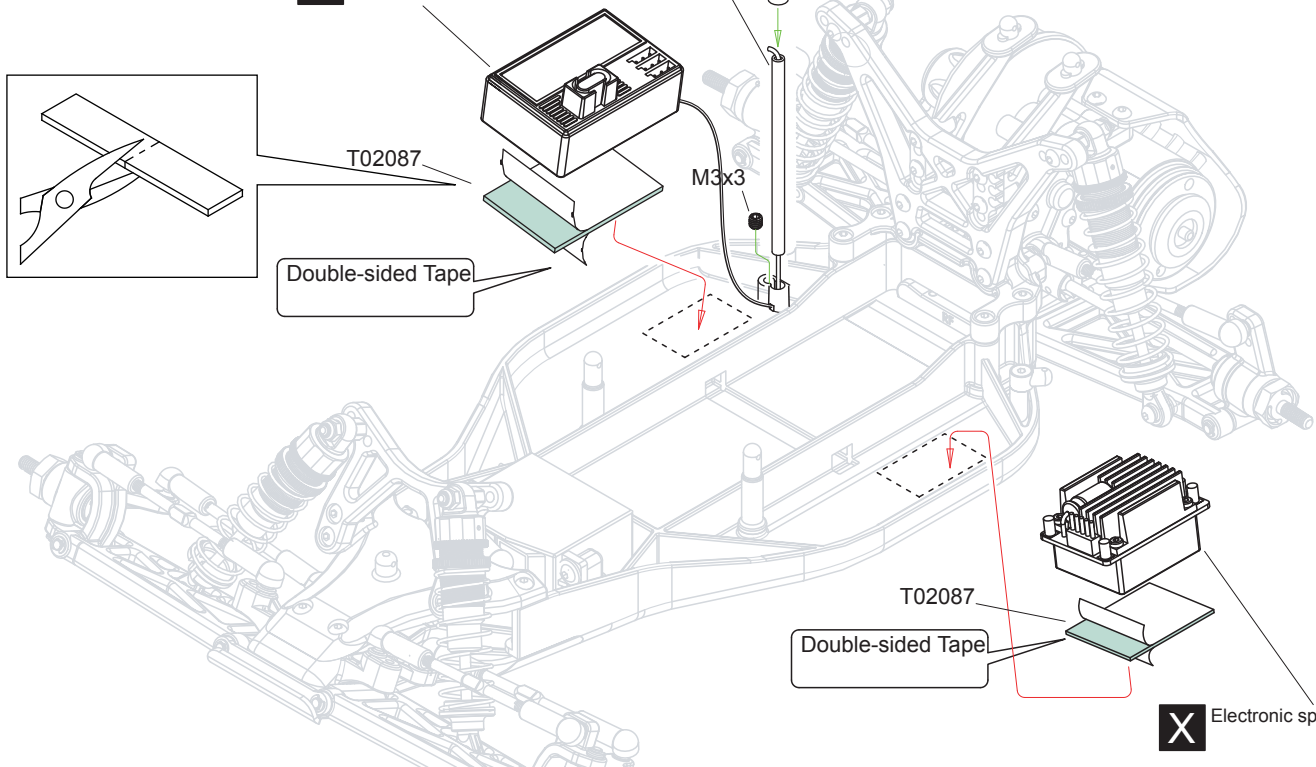
T02087

M3x3

T02087

Double-sided Tape

X Electronic speed controller



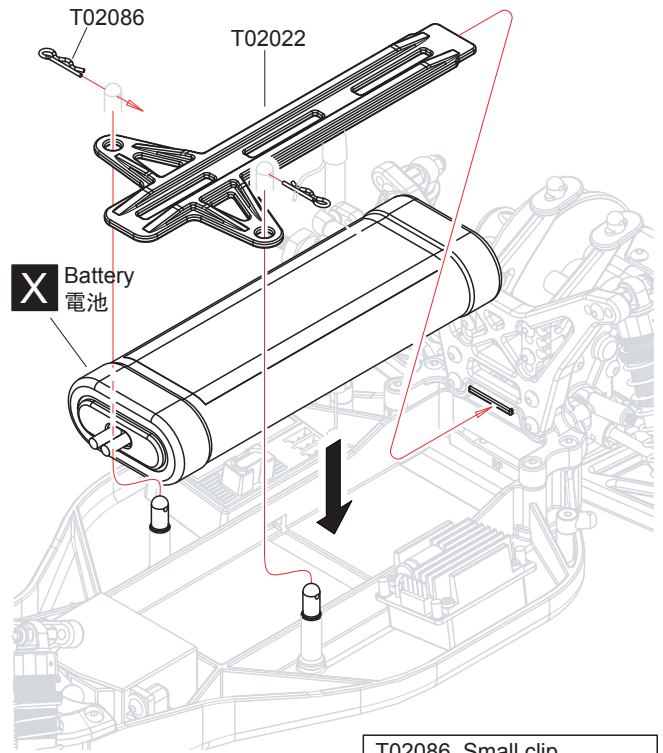
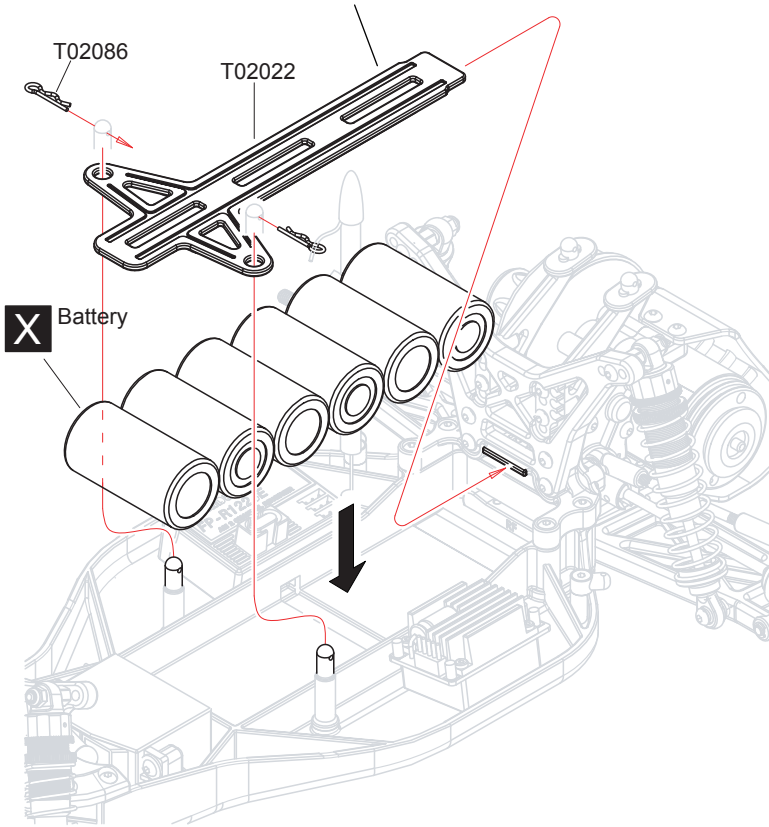
Assemble in the specified order



Must be purchased separately

# 34 Battery

If using loose battery cells  
Please put the battery panel conversely



T02086 Small clip

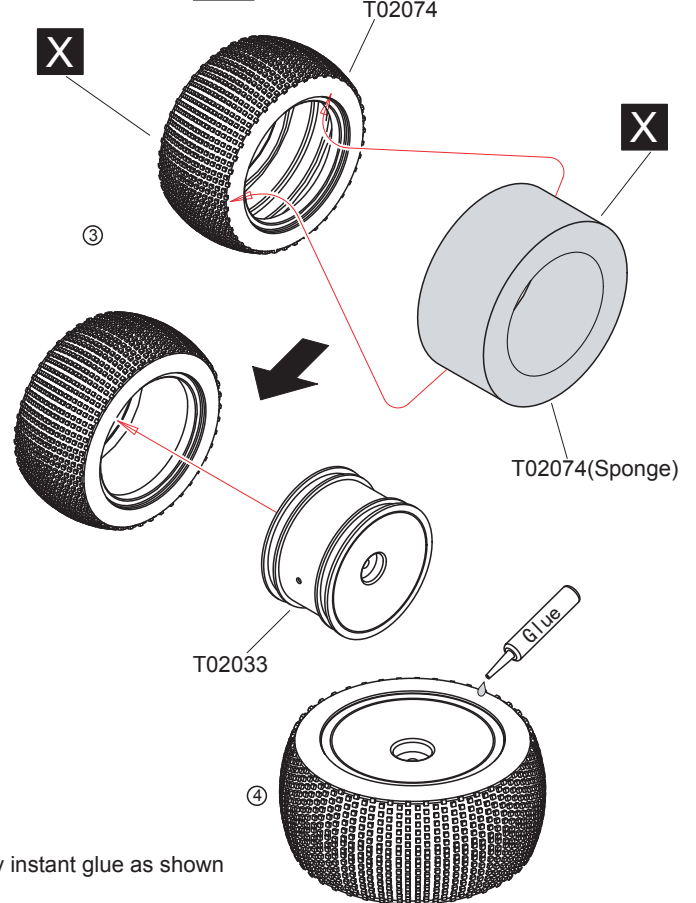
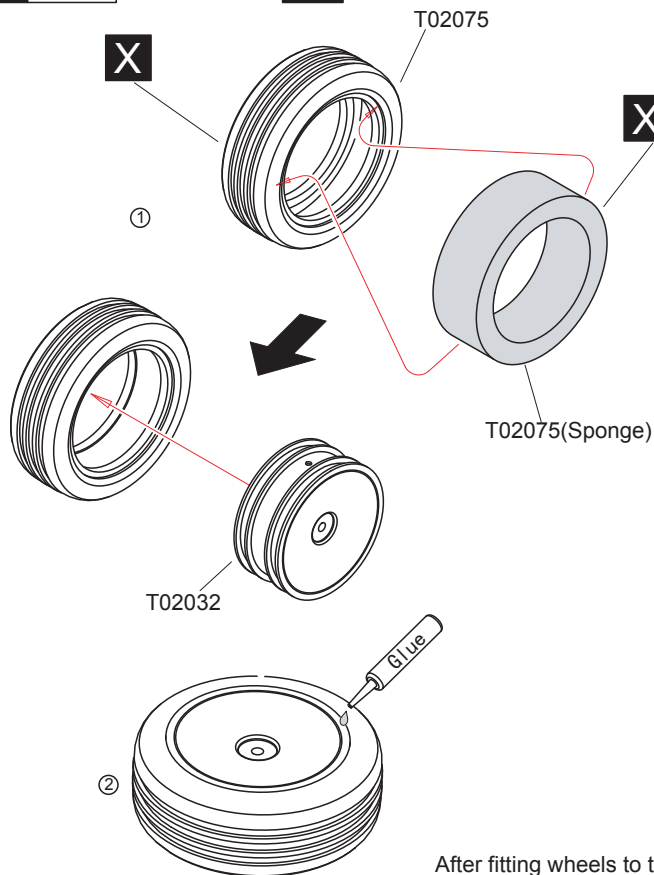


# 35 Wheels

Front **x2**

① ②  
③

Rear **x2**



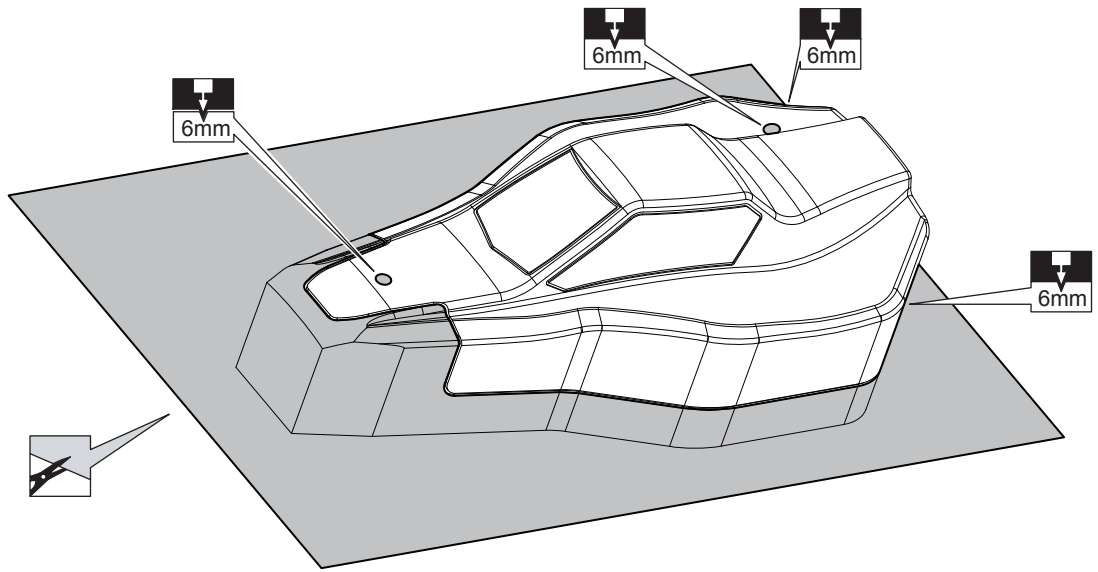
After fitting wheels to tyres, apply instant glue as shown

**x2** Assemble as many times as specified

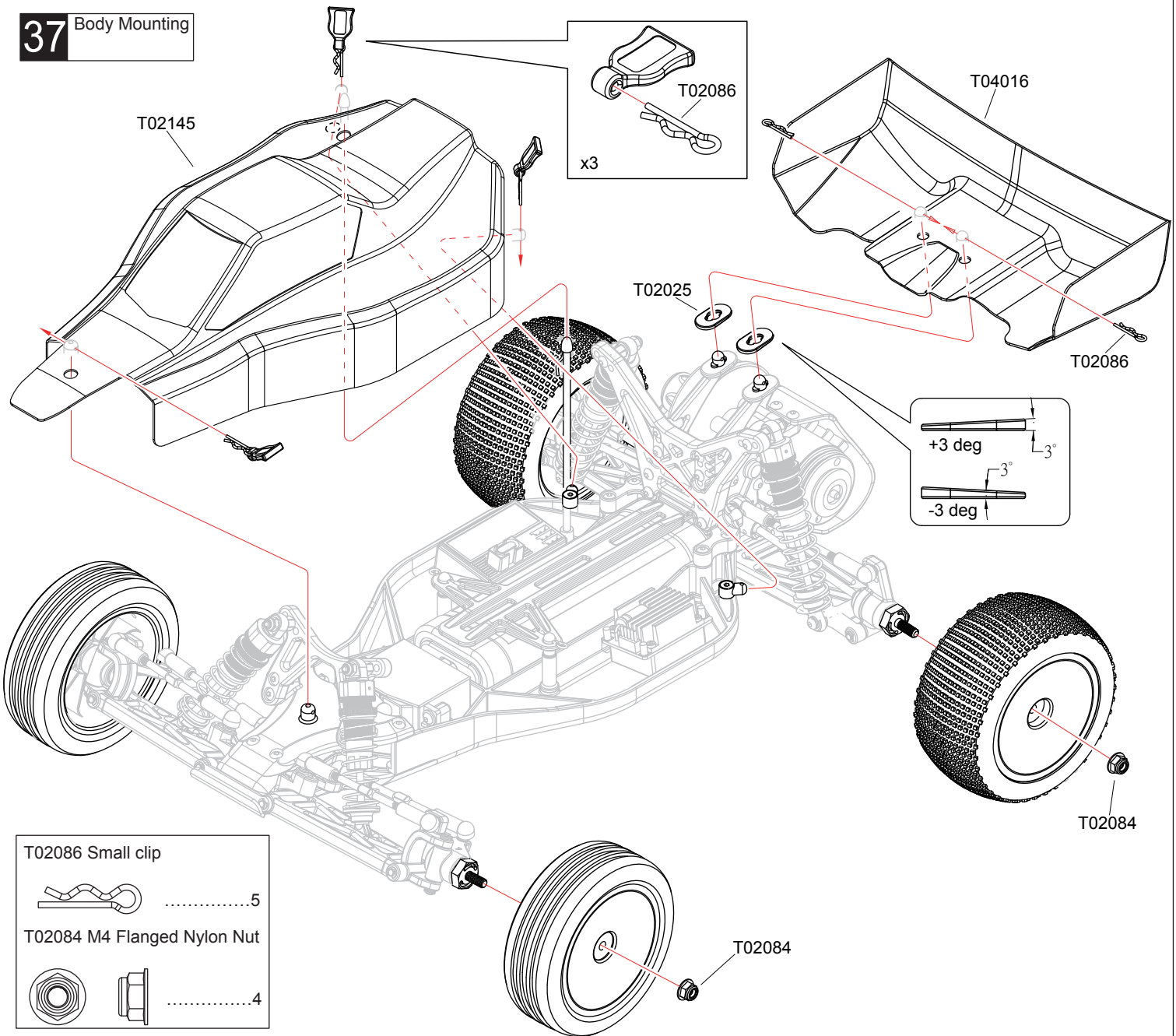
① ② ③ Assemble in the specified order

**X** Must be purchased separately

### 36 Body Mounting

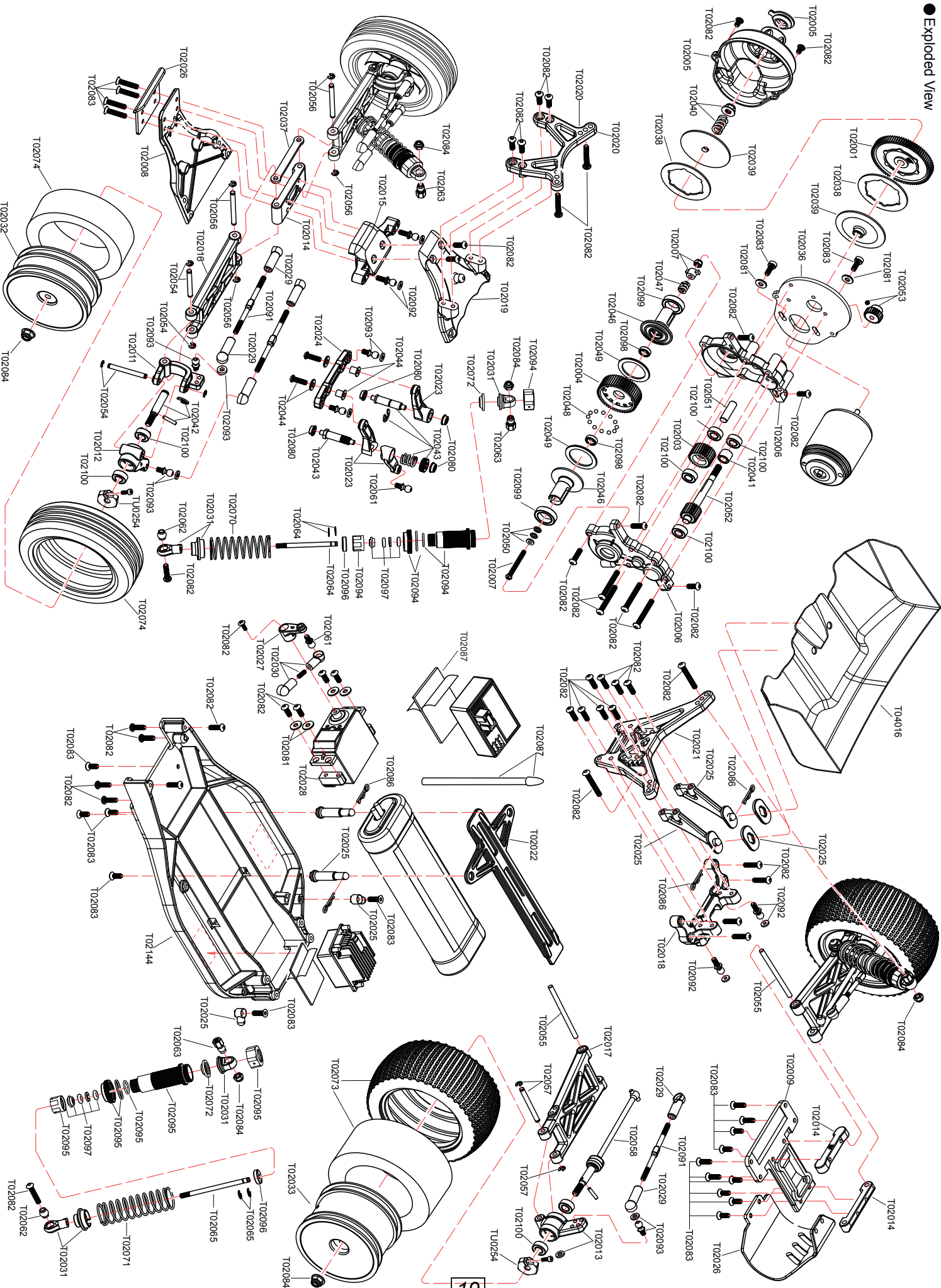


### 37 Body Mounting



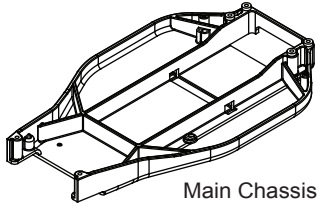
- T02086 Small clip .....5
- T02084 M4 Flanged Nylon Nut .....4

Exploded View



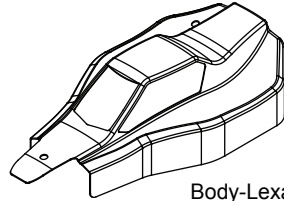
# Parts list for TC02-EVO off-road buggy-1

T02144



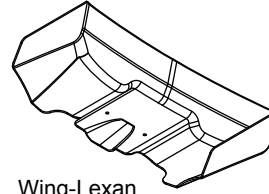
Main Chassis  
1PCS

T02145



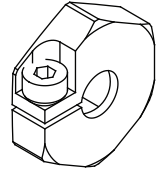
Body-Lexan  
1pcs

T04016



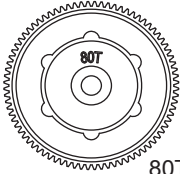
Wing-Lexan  
1pcs

TU0254



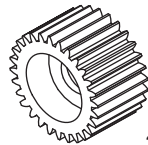
12mm Hex Hub-4mm  
4PCS

T02001



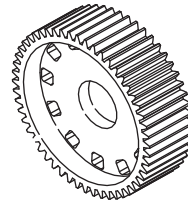
80T Spur Gear  
1PCS

T02003



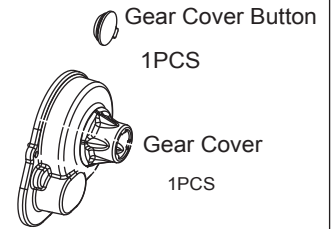
28T Spur Gear  
1PCS

T02004



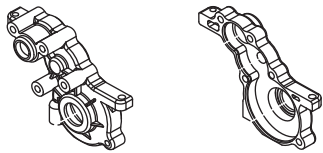
52T Gear  
1PCS

T02005



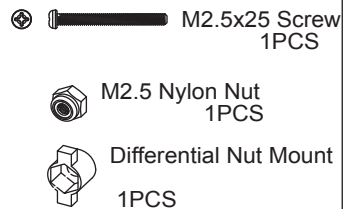
Gear Cover Button  
1PCS  
Gear Cover  
1PCS

T02006



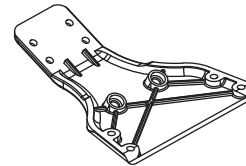
Differential-L  
1PCS  
Differential-R  
1PCS

T02007



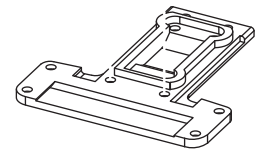
M2.5x25 Screw  
1PCS  
M2.5 Nylon Nut  
1PCS  
Differential Nut Mount  
1PCS

T02008



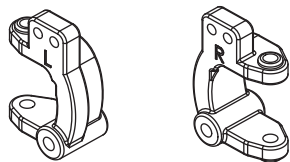
Front chassis plate  
1PCS

T02009



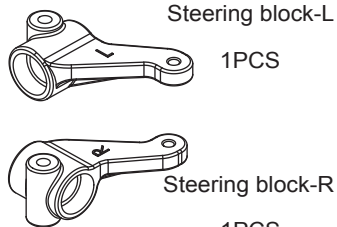
Rear chassis plate  
1PCS

T02011



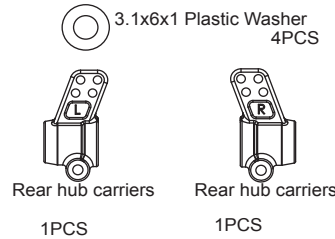
C-type holder L  
1PCS  
C-type holder R  
1PCS

T02012



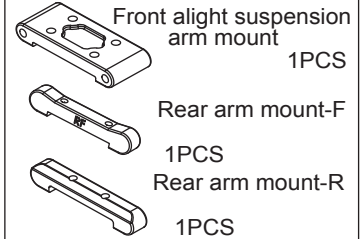
Steering block-L  
1PCS  
Steering block-R  
1PCS

T02013



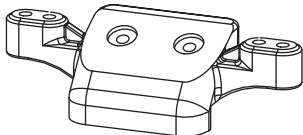
3.1x6x1 Plastic Washer  
4PCS  
Rear hub carriers  
1PCS  
Rear hub carriers  
1PCS

T02014



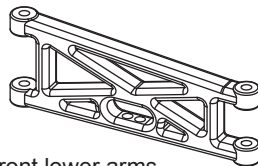
Front aight suspension  
arm mount  
1PCS  
Rear arm mount-F  
1PCS  
Rear arm mount-R  
1PCS

T02015



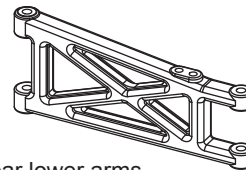
Front upper suspension  
arm mount  
1PCS

T02016



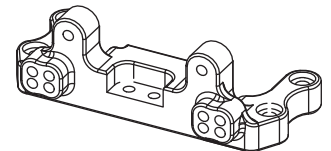
Front lower arms  
2PCS

T02017



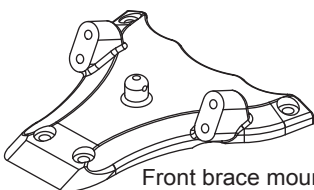
Rear lower arms  
2PCS

T02018



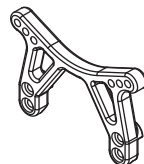
Rear brace mount  
1PCS

T02019



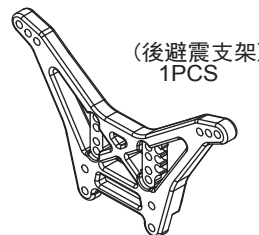
Front brace mount  
1PCS

T02020



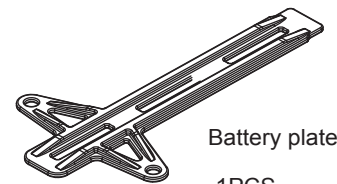
Front shock tower  
1PCS

T02021



(後避震支架)  
1PCS

T02022

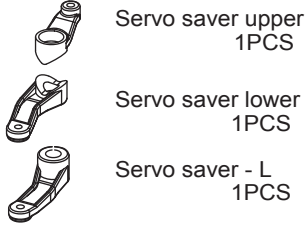


Battery plate  
1PCS

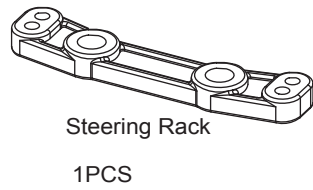


# Parts list for TC02-EVO off-road buggy-2

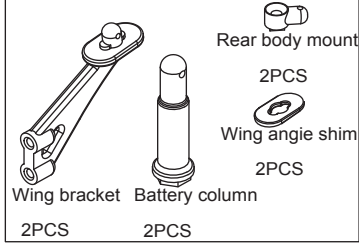
T02023



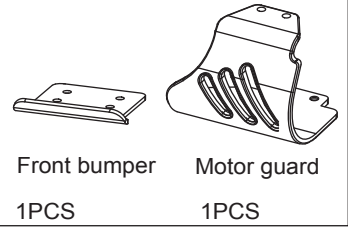
T02024



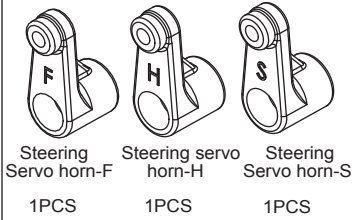
T02025



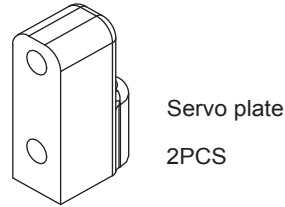
T02026



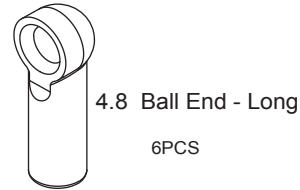
T02027



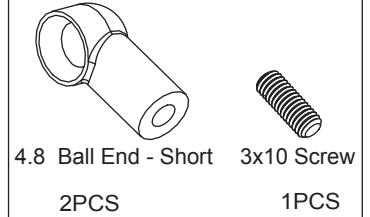
T02028



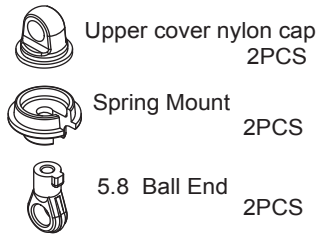
T02029



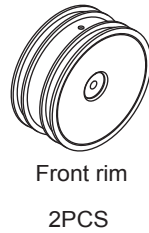
T02030



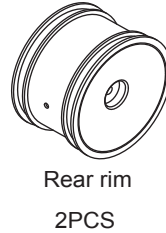
T02031



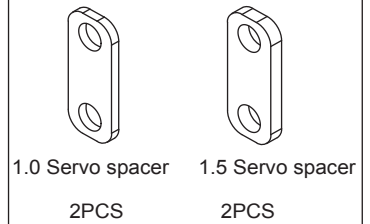
T02032



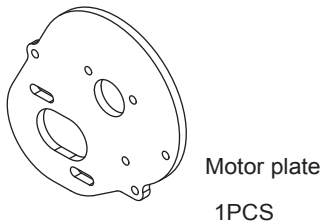
T02033



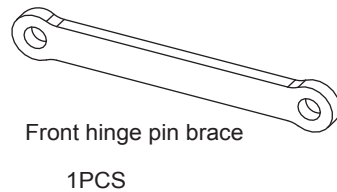
T02035



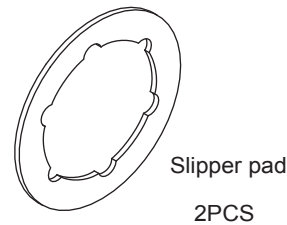
T02036



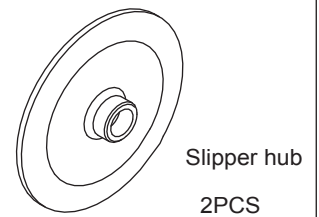
T02037



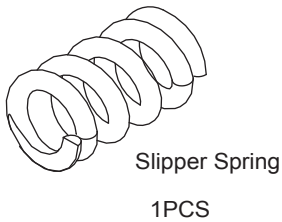
T02038



T02039



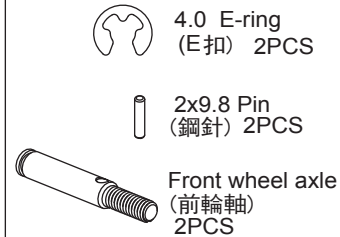
T02040



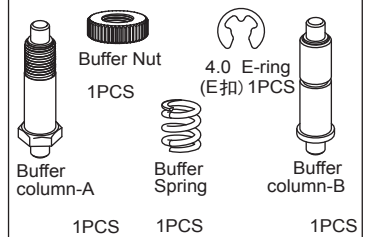
T02041



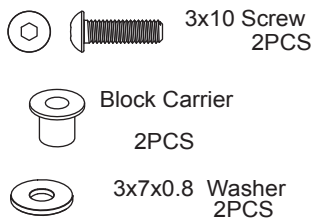
T02042



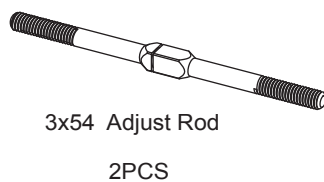
T02043



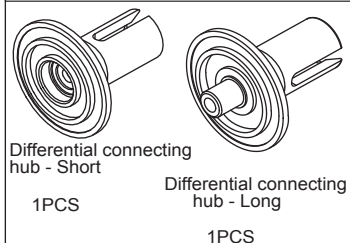
T02044



T02091



T02046

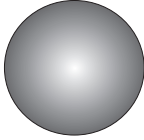


T02047




# Parts list for TC02-EVO off-road buggy-3

**T02048**



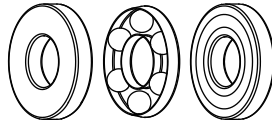
2.37mm Ball  
12PCS

**T02049**



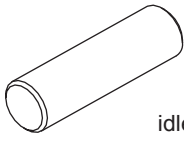
17x23x1 Washer  
2PCS

**T02050**



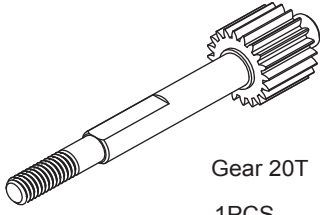
2.6x6x3 Stop push ball bearing  
1PCS

**T02051**



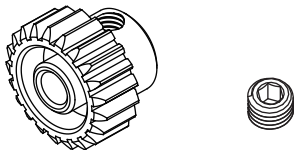
idler gear shaft  
1PCS

**T02052**



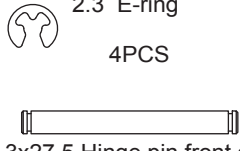
Gear 20T  
1PCS

**T02053**



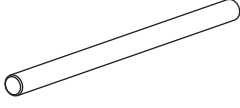
Pinion Gear 21T 3x3 Screw  
1PCS 1PCS

**T02054**



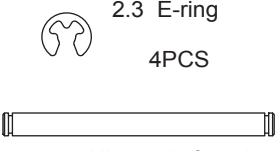
2.3 E-ring 4PCS  
3x27.5 Hinge pin front outer 2PCS

**T02055**



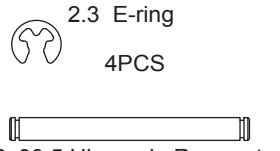
3x48 Hinge pin Rear inner  
2PCS

**T02056**



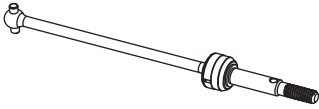
2.3 E-ring 4PCS  
3x34.5 Hinge pin front inner 2PCS

**T02057**



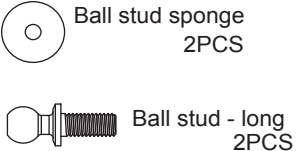
2.3 E-ring 4PCS  
3x30.5 Hinge pin Rear outer 2PCS

**T02058**



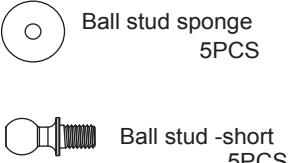
Rear CVD  
2PCS

**T02092**




Ball stud sponge 2PCS  
Ball stud - long 2PCS

**T02093**



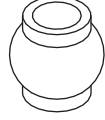
Ball stud sponge 5PCS  
Ball stud -short 5PCS

**T02061**



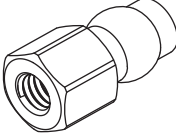
Ball stud -silver  
2PCS

**T02062**



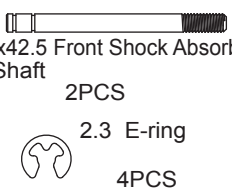
5.8x6 Ball stud  
4PCS

**T02063**



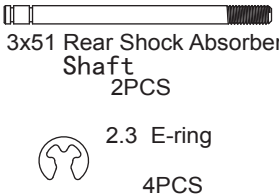
5mm Ball stud  
4PCS

**T02064**



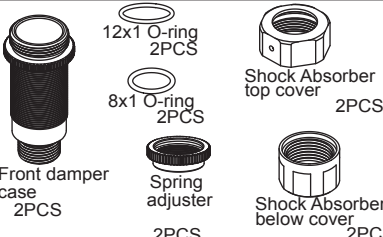
3x42.5 Front Shock Absorber Shaft 2PCS  
2.3 E-ring 4PCS

**T02065**



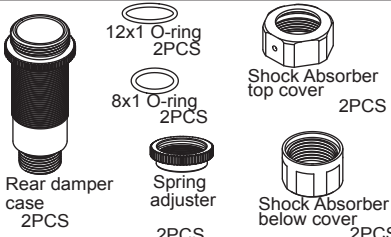
3x51 Rear Shock Absorber Shaft 2PCS  
2.3 E-ring 4PCS

**T02094**



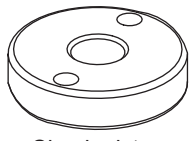
Front damper case 2PCS  
12x1 O-ring 2PCS  
8x1 O-ring 2PCS  
Spring adjuster 2PCS  
Shock Absorber top cover 2PCS  
Shock Absorber below cover 2PCS

**T02095**



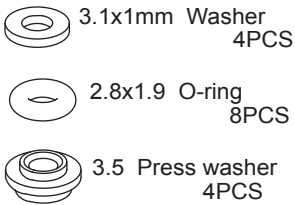
Rear damper case 2PCS  
12x1 O-ring 2PCS  
8x1 O-ring 2PCS  
Spring adjuster 2PCS  
Shock Absorber top cover 2PCS  
Shock Absorber below cover 2PCS

**T02096**



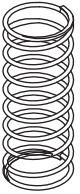
Shock piston  
4PCS

**T02097**



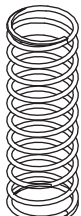
3.1x1mm Washer 4PCS  
2.8x1.9 O-ring 8PCS  
3.5 Press washer 4PCS

**T02071**



Front Shock Absorber Spring  
2PCS

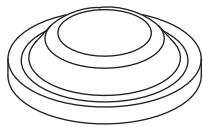
**T02072**



Rear Shock Absorber Spring  
2PCS

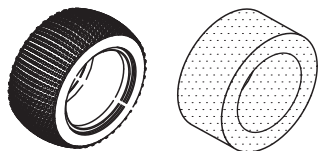
# Parts list for TC02-EVO off-road buggy-4

T02073



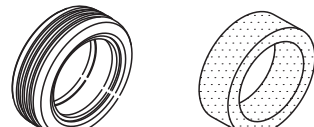
Diaphragm  
4PCS

T02074



Rear-tyre 2PCS  
Rear-Sponge 2PCS

T02075



Front-tyre 2PCS  
Front-Sponge 2PCS

T02098



5x8x2.5 Ball Bearing  
6PCS

T02099



10x15x4 Ball Bearing  
6PCS

T02100



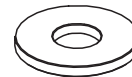
5x10x4 Ball Bearing  
6PCS

T02080



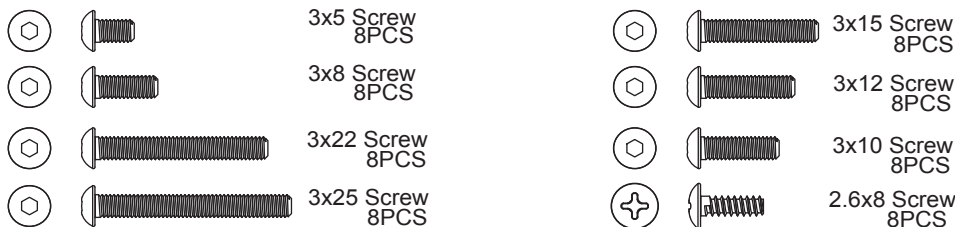
3x6x2.5 Ball Bearing  
4PCS

T02081

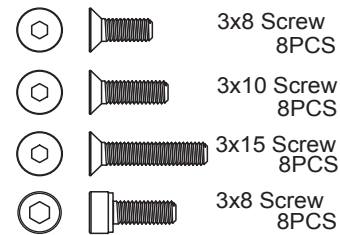


3x7x0.8 Washer  
10PCS

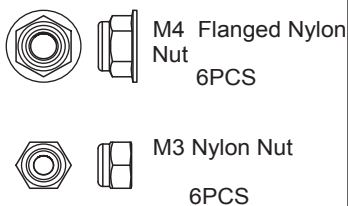
T02082



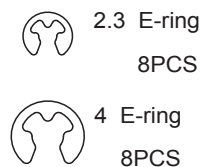
T02083



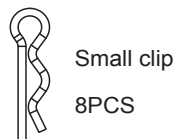
T02084



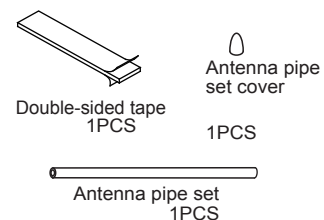
T02085



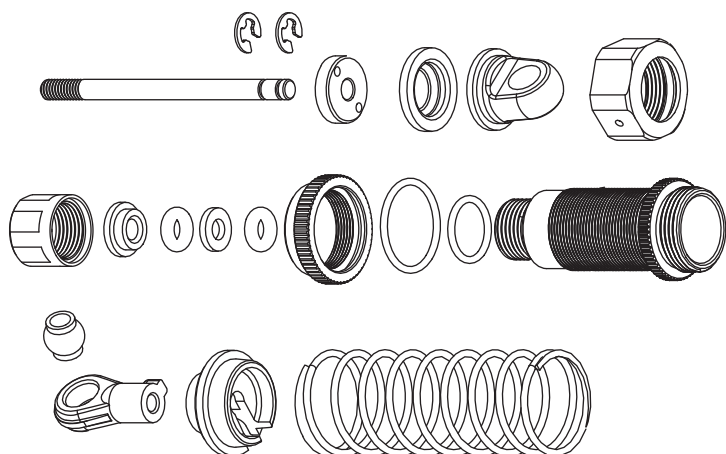
T02086



T02087

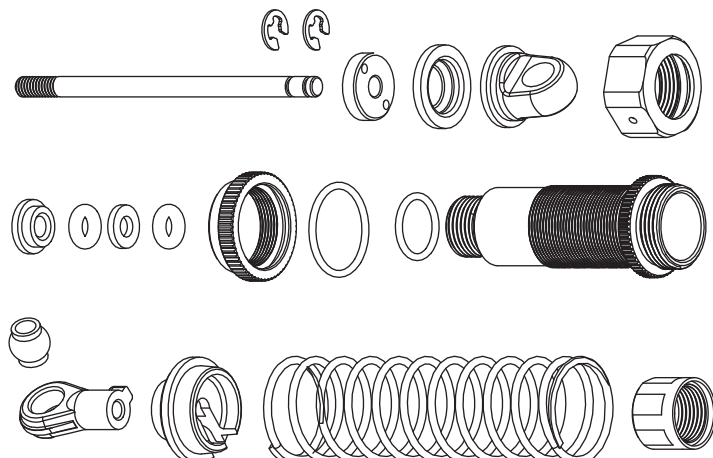


T02101



Front Shock Absorber  
2PCS

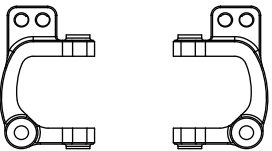
T02102



Rear Shock Absorber  
2PCS

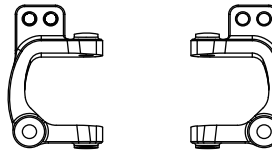
# TC02-EVO Upgrade Parts

**Tu0219** OP



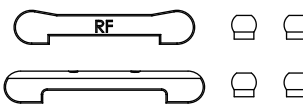
C-Type-Holder 25 Degree - L  
C-Type-Holder 25 Degree - R

**Tu0220** OP



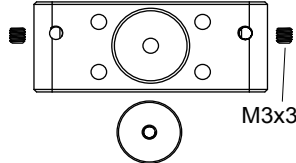
C-Type-Holder 30 Degree - L  
C-Type-Holder 30 Degree - R

**Tu0221** OP



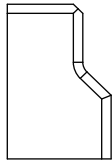
Rear arm mount F/R 1Set

**Tu0222** OP




Front arm mount 1Set

**Tu0224** OP



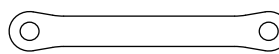
Servo mount 2pcs

**Tu0225** OP



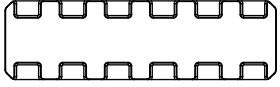
2x5 Screw 4pcs  
Hex mount 4pcs

**Tu0226** OP



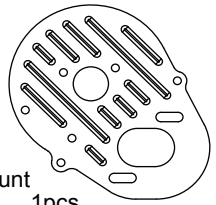
Front hinge pin brace 1pcs

**Tu0228** OP



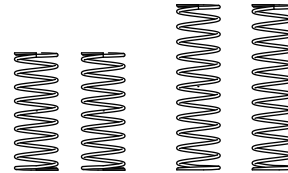
Brass battery tray 1pcs

**Tu0229** OP



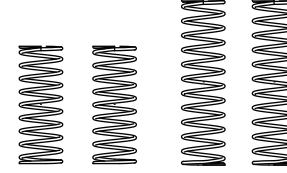
Motor mount 1pcs

**Tu0230** OP



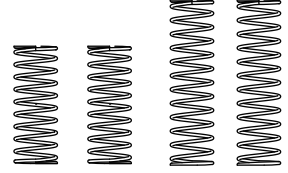
Hard Shock Absorber Spring Set (Blue)

**Tu0231** OP



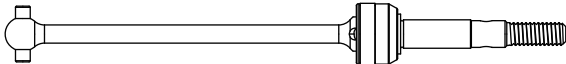
Medium Shock Absorber Spring Set (Red)

**Tu0232** OP




Soft Shock Absorber Spring Set (Purple)


**Tu0233** OP




Buggy CVD for ae rim 2pcs



1.6x11 Spring Pin 2pcs

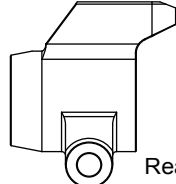


Aluminum Washer 2pcs




5.1x8x0.2 Washer 4pcs

**Tu0236** OP




Rear hub carriers 2pcs

**Tu0238** OP




Ceramic Ball 2.37mm 12pcs

**H475** OP




Aluminium Motor Gear - 15T 1pcs




3x3 Screw 1pcs

**H476** OP

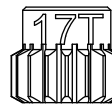


Aluminium Motor Gear - 16T 1pcs




3x3 Screw 1pcs

**H477** OP

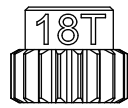


Aluminium Motor Gear - 17T 1pcs




3x3 Screw 1pcs

**H478** OP

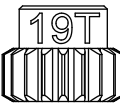


Aluminium Motor Gear - 18T 1pcs




3x3 Screw 1pcs

**H479** OP




Aluminium Motor Gear - 19T 1pcs




3x3 Screw 1pcs

**H480** OP




Aluminium Motor Gear - 20T 1pcs




3x3 Screw 1pcs

**H482** OP

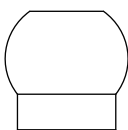


Aluminium Motor Gear - 22T 1pcs



3x3 Screw 1pcs

**Tu0223** OP



Rear arm mount -Ball 8pcs



HOBBYPRO COMPANY LTD.

Flat C-D, 5/F.,

Speedy Ind. BLDG.,

114 How Ming Street,

Kwun Tong, KLN., Hong Kong.

Team C Headquarter

[www.teamcracing.net](http://www.teamcracing.net)

Team C America

[www.teamcamerica.com](http://www.teamcamerica.com)

Team C Europe

[www.teamceurope.com](http://www.teamceurope.com)